

Hustler® Parts Manual



HUSTLER®
TURF EQUIPMENT

200 South Ridge Road

Hesston, Kansas

67062



NOTICE OF REQUIREMENT OF SPARK ARRESTER MUFFLER

This equipment may create sparks that can start fires around dry vegetation. California Public Resources Code Section 4442.6 provides that it is unlawful to use or operate an internal combustion engine on any forest-covered, brush-covered, or grass-covered land unless the engine is equipped with a spark arrester maintained in effective working order. A spark arrester is a device constructed of nonflammable materials specifically for the purpose of removing and retaining carbon and other flammable particles over 0.0232 of an inch in size from the exhaust flow of an internal combustion engine that uses hydrocarbon fuels or which is qualified and rated by the United States Forest Service. Other states or federal areas may have similar laws. The Operator Should Contact Local Fire Agencies For Laws or Regulations Relating to Fire Prevention Requirements. **THIS EQUIPMENT DOES NOT HAVE A SPARK ARRESTER AND YOU SHOULD CONTACT YOUR AUTHORIZED DEALER FOR THE PURCHASE OF A SPARK ARRESTER.**

Inspect spark arrester daily; replace every 500 hours or as needed.

The Engine Owner's Manual provides information regarding the U.S. Environmental Protection Agency (EPA) and the California Emission Control Regulation of emission systems, maintenance and warranty.

Keep Engine Owner's Manual with your unit. Should the Engine Owner's Manual become damaged or illegible, replace immediately. Replacements may be ordered per the information found in the Product Information section of the owner's manual.

Federal law and California State law prohibit the following acts or the causing thereof:

1. The removal or rendering inoperative by any person other than for purposes of maintenance, repair, replacement, of any device or element of design incorporated into any equipment for the purposes of emissions control prior to or after its sales or delivery to the ultimate purchaser or while it is in use, or
2. The use of the equipment after such device or element of design has been removed or rendered inoperative by any person.

| | |
|---|-----|
| General Information | 1 |
| Frame, Instrument Panel & Engine Guard | |
| Frame | 3-1 |
| Fenders, Instrument Panel & Wire Harness | 3-2 |
| Engine Guard | 3-3 |
| Battery | 3-4 |
| Transmissions & Steering | |
| Transmission Assembly & Drive Belt (Multi-Page) | 4-1 |
| Transmission Service Parts - 604708 | 4-2 |
| Transmission Service Parts - 604709 | 4-3 |
| Steering & Brake | 4-4 |
| Steering Cover Assembly | 4-5 |
| Wheels & Tires | |
| Wheel & Tire | 5-1 |
| Front Wheel Assembly Breakdown | 5-2 |
| Drive Wheel Breakdown | 5-3 |
| Engine & Fuel System | |
| Engine (Multi-Page) | 6-1 |
| Engine Service Parts | 6-2 |
| Fuel System | 6-3 |
| Fuel Tank Service Parts | 6-4 |
| Deck | |
| Service Deck | 7-1 |
| Deck Pulleys & Spindles | 7-2 |
| Spindle Service Parts - 601804 | 7-3 |
| Deck Belt, Discharge Chute, Pulley Cover & Blades | 7-4 |
| Deck Lift & Mounting Hardware (Multi-Page) | 7-5 |
| CE Guard Kit | 7-6 |
| Seat | |
| Seat - S/N 19084846 & Higher | 8-1 |
| Seat Service Parts - 607347 | 8-2 |
| Seat - S/N Prior to 19084846 | 8-3 |
| Seat Service Parts - 606077 | 8-4 |

General Information

Note: When ordering parts, you must use the part number as shown for each part, not the index number. Always give the model and serial number to your parts and service representative.

Note: Items sold in bulk such as seals and hoses are sold by the foot.

Using This Manual

This manual is part of a service package for the Hustler® mowers. Use of this manual in conjunction with other Hustler® mower and component manuals will provide the information necessary to service and maintain Hustler® mowers.

This Parts Manual provides a complete parts listing for the unit. Use this manual when ordering parts. Illustrations used were current at the time of printing, but subsequent production changes may cause your machine to vary slightly in detail. Excel Industries, Inc. reserves the right to redesign and change the machine as deemed necessary, without notification. If a change has been made to your machine which is not reflected in this parts manual, see your authorized dealer for current information and parts.

The Service Manual is a service guide for use by Service Technicians. It provides the necessary information needed to perform normal maintenance requirements on these units.

The Operator's Manual provides fundamental operational information and operational safety that is needed when operating the mower.

The component manuals are furnished by the various manufacturers to be used for the troubleshooting and servicing of their products.

Hardware Description Codes & Abbreviations

The following codes are used throughout this parts manual. Refer to this list when ordering parts.

| ABBREVIATION | DESCRIPTION | ABBREVIATION | DESCRIPTION |
|--------------|---------------|--------------|------------------------|
| CB | CARRIAGE BOLT | MB | MACHINE BUSHING |
| CE | CLEVIS PIN | MS | MACHINE SCREW |
| CN | CLIP NUT | NT | NUT |
| CP | COTTER PIN | SC | SELF TAPPING CAP SCREW |
| CS | CAP SCREW | SH | SOCKET HEAD |
| CW | CUP WASHER | SB | SHOULDER BOLT |
| FDRW | FENDER WASHER | SS | SET SCREW |
| FW | FLAT WASHER | OD | OUTSIDE DIAMETER |
| HX | HEX HEAD | ID | INSIDE DIAMETER |
| LW | LOCK WASHER | WN | WELD NUT |

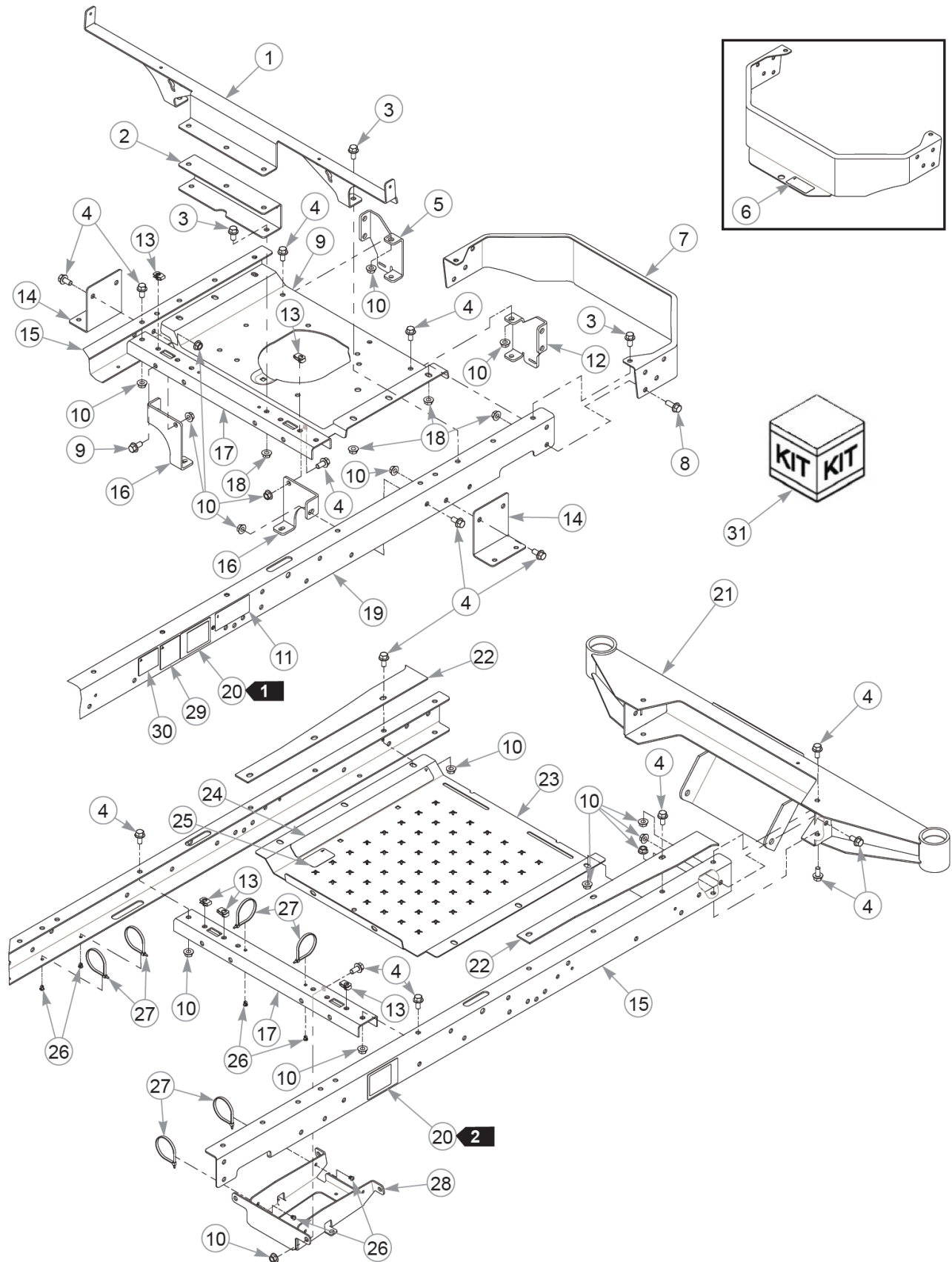
Standard Torques

The following chart lists the standard torque values for the threaded fasteners found in this manual. Torque all cap screws, nuts and set screws to these values unless a different torque is shown in the Notes section next to the fastener.

| SIZE | FT-LBS | N•M | SIZE | FT-LBS | N•M |
|------|--------|------|------|--------|-------|
| .250 | 8.2 | 11.1 | M3 | 1 | 1.3 |
| .312 | 17 | 23 | M4 | 2.2 | 3 |
| .375 | 30 | 40 | M5 | 4.5 | 6.1 |
| .438 | 48 | 65 | M6 | 7.7 | 10.4 |
| .500 | 73 | 99 | M8 | 18.5 | 25 |
| .562 | 105 | 143 | M10 | 37 | 50 |
| .625 | 145 | 200 | M12 | 64 | 87 |
| .750 | 260 | 350 | M14 | 80 | 108.5 |
| .875 | 420 | 565 | M16 | 160 | 215 |
| 1.00 | 625 | 850 | M20 | 320 | 435 |
| | | | M24 | 555 | 750 |

This page intentionally left blank

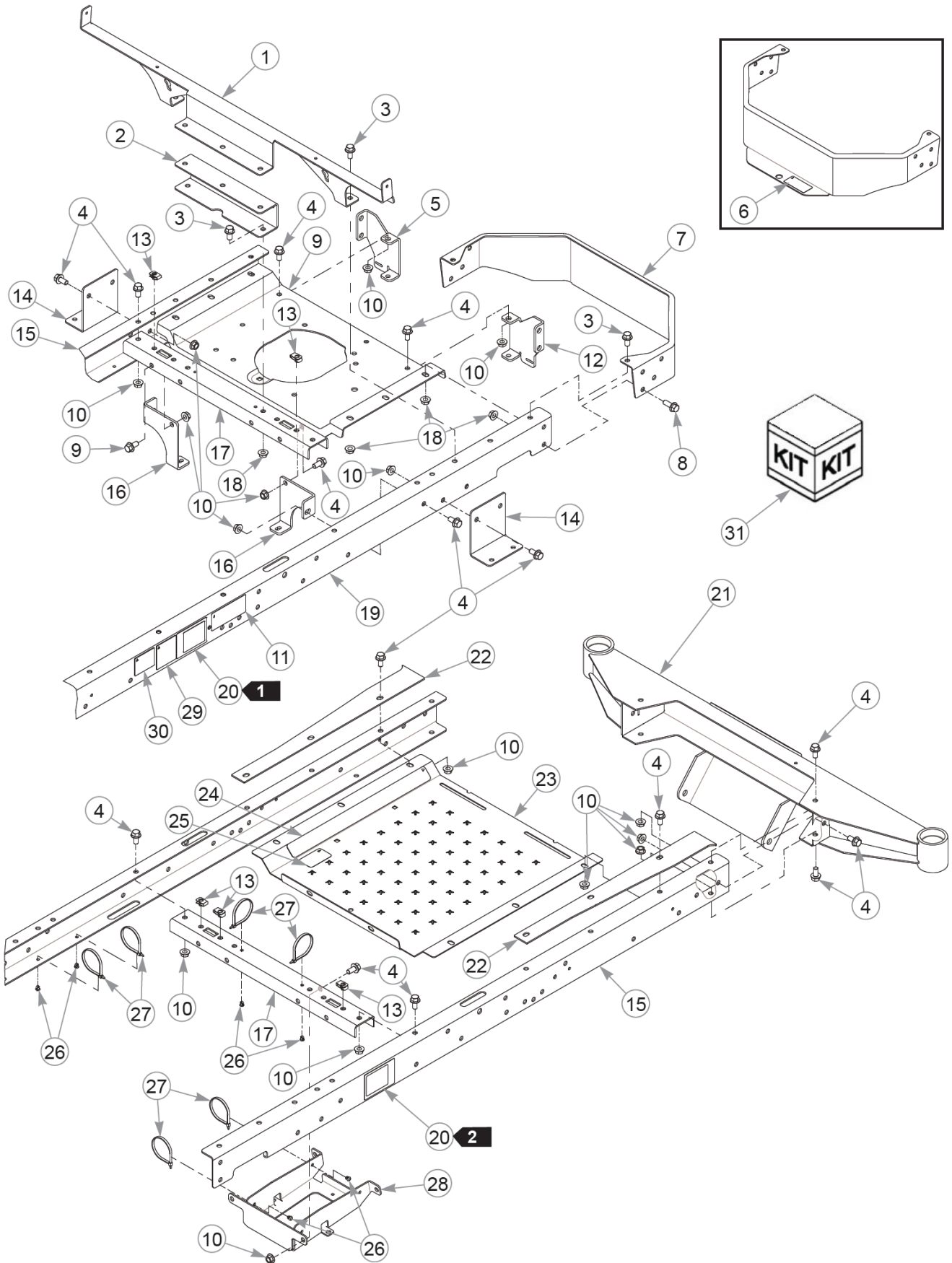
Frame



Frame

| Item | Part No. | Qty | Name |
|---|----------|-----|----------------------------|
| 1 | 123637-3 | 1 | SEAT SUPPORT |
| 2 | 123636-3 | 1 | SPRING SUPPORT |
| 3 | 029629 | 6 | CS .375-16X0.75 HXF G5ZY |
| 4 | 604176 | 30 | CS .375-16X.75 HXF NF |
| 5 | 552564 | 1 | ORDER 125255 KIT |
| <p>Comments for Part Num. 552564</p> <p>NOT SOLD SEPARATELY. ORDER '125255 KIT, HYDRO BRACKETS'</p> | | | |
| 6 | 602041 | 1 | DECAL, HOT |
| 7 | 553148 | 1 | SERVICE, BUMPER STAMPED |
| 8 | 029751 | 4 | CS .375-16X1.00 HXF G5ZY |
| 9 | 551858 | 1 | SVC, ENGINE PLATE |
| 10 | 604177 | 30 | NT .375-16 HXFLK PLN |
| 11 | 601967 | 1 | DECAL, ENGINE COMPART |
| 12 | 552565 | 1 | ORDER 125255 KIT |
| <p>Comments for Part Num. 552565</p> <p>NOT SOLD SEPARATELY. ORDER '125255 KIT, HYDRO BRACKETS'</p> | | | |
| 13 | 601982 | 5 | CN .250-20X .150 MAX THK |
| 14 | 552566 | 2 | ORDER 125255 KIT |
| <p>Comments for Part Num. 552566</p> <p>NOT SOLD SEPARATELY. ORDER '125255 KIT, HYDRO BRACKETS'</p> | | | |
| 15 | 119718 | 1 | SVC, RS FRAME CHANNEL |
| 16 | 552567 | 2 | ORDER 125255 KIT |
| <p>Comments for Part Num. 552567</p> <p>NOT SOLD SEPARATELY. ORDER '125255 KIT, HYDRO BRACKETS'</p> | | | |
| 17 | 551861 | 2 | SVC, CROSS SUPPORT |
| 18 | 016899 | 10 | NT .375-16HXG5 |
| 19 | 551868 | 1 | SVC, LS FRAME CHANNEL |
| 20 | N/A | 2 | SERIAL NUMBER / SPEC DECAL |
| 21 | 552568 | 1 | FRONT CROSS FRAME W/A |
| 22 | 552569 | 2 | SVC, FAIRING |
| 23 | 551865 | 1 | SVC, FOOT PAN |
| 24 | 601981 | 1 | DECAL, SAFE OPERATE-GRAY |
| 25 | 605782 | 1 | DECAL, LEVEL FUEL BLOWM |

Frame

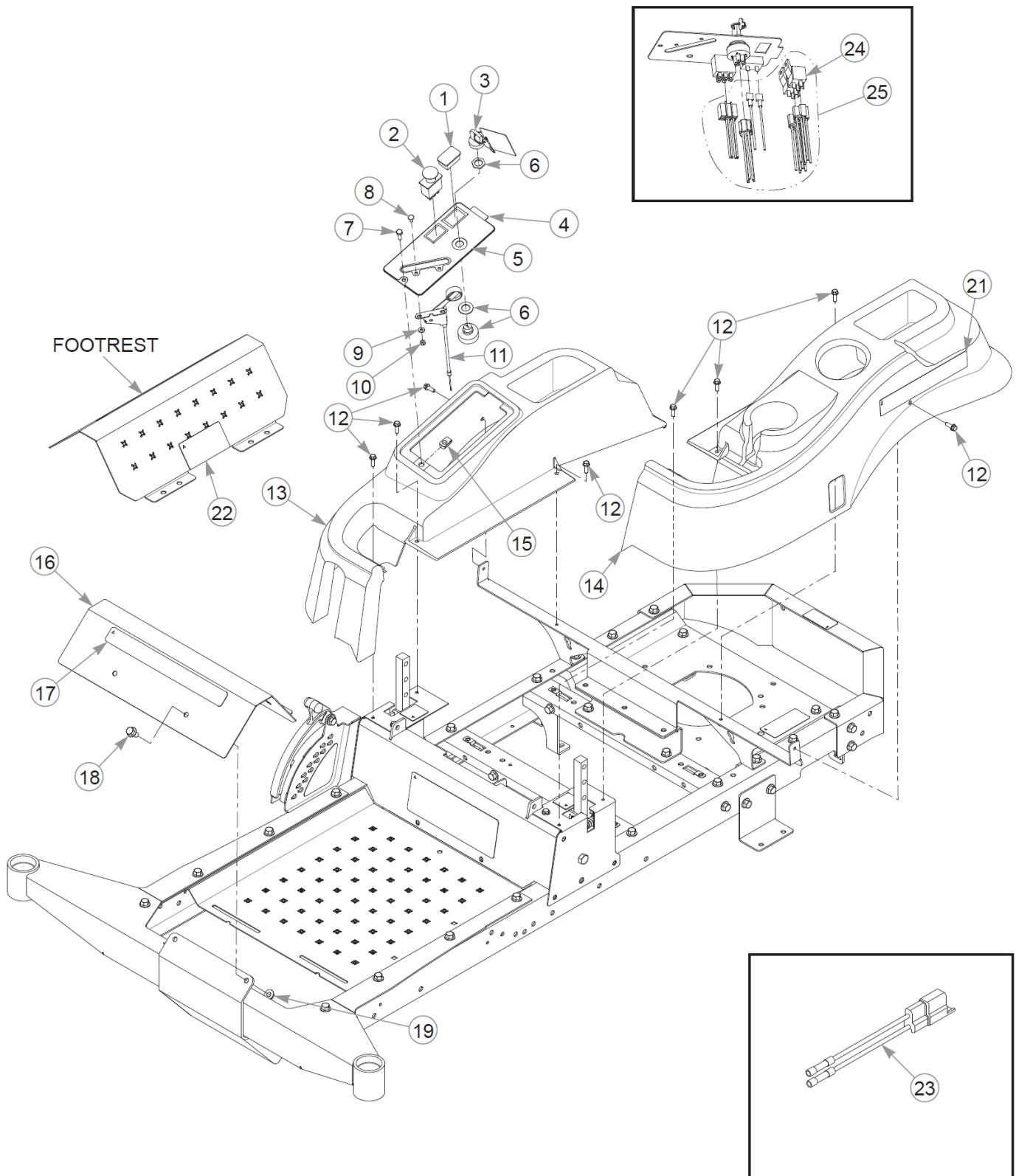


Frame

| Item | Part No. | Qty | Name |
|------|----------|-----|-----------------------|
| 26 | 604307 | 6 | MOUNT, PUSH BUTTON |
| 27 | 000331 | 6 | WIRE TIE, SMALL/SHORT |
| 28 | 552570 | 1 | BATTERY TRAY |
| 29 | 789776CE | 1 | DBA LIMIT DECAL |
| 30 | 776310 | 1 | DECAL, CE MARK |
| 31 | 125255 | 1 | KIT, HYDRO BRACKETS |

Comments for Page: Frame

1. Serial number decal. In the event the serial number decal becomes damaged or illegible, please contact your dealer to order a replacement.
2. EPA compliance decal (does not apply to mowers with serial numbers prior to 19020001).
3. Torque all the hardware to a minimum of 45 N•m.
4. The bumper, LS frame channel and foot pan include decals.



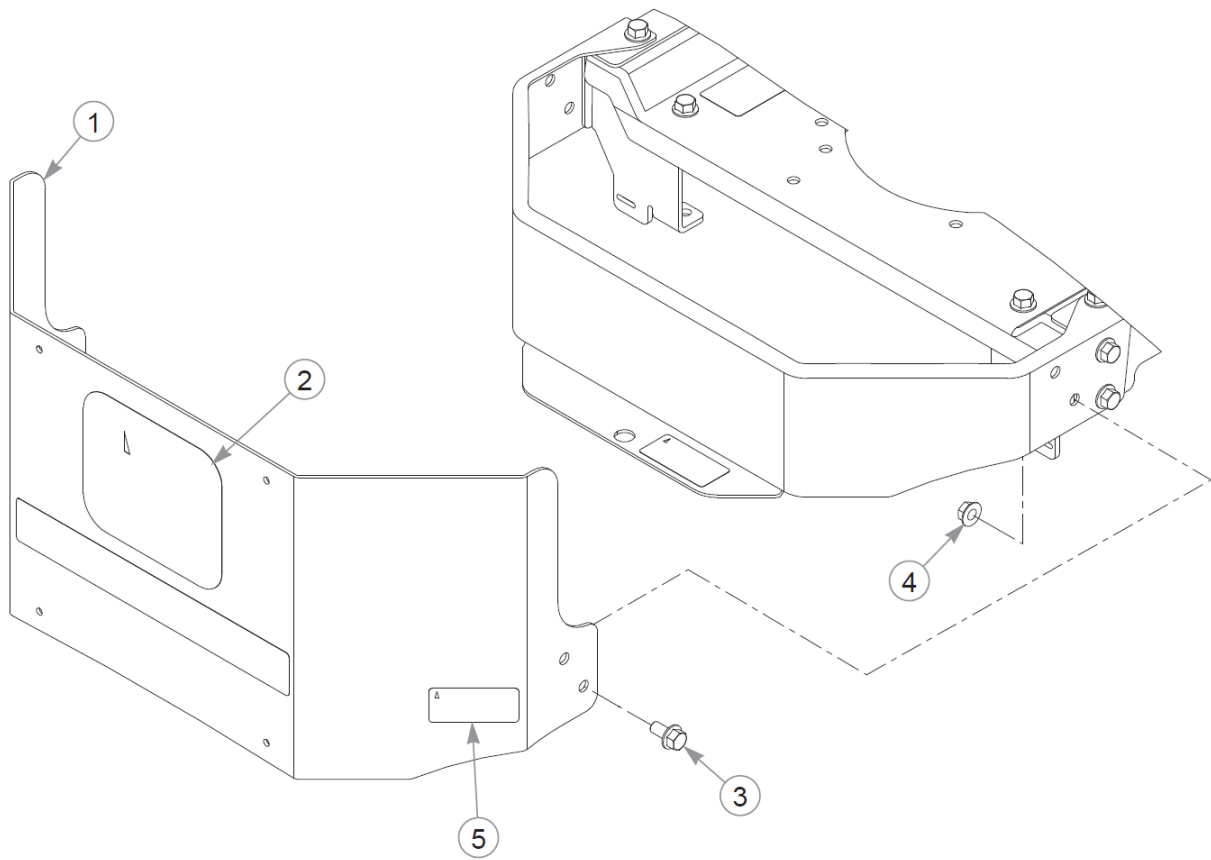
Fenders, Instrument Panel & Wire Harness

| Item | Part No. | Qty | Name |
|------|----------|-----|--------------------------|
| 1 | 769166 | 1 | HOUR METER |
| 2 | 776476 | 1 | SWITCH, PTO 6201-321 |
| 3 | 785808 | 1 | KEY ASSEMBLY |
| 4 | 551898 | 1 | SERVICE, INSTR PANEL |
| 5 | 605996 | 1 | DECAL, INSTRUMENT PANEL |
| 6 | 045898 | 1 | IGNITION SWITCH |
| 7 | 055939 | 1 | CS .250-20X0.75 HX G5 ZY |
| 8 | 601098 | 2 | CB 10-24 X .500 ZYNC |
| 9 | 704932 | 2 | FW 0.219X.50X.05 ZY |
| 10 | 059832 | 2 | NT #10-24 HX NL ZN |
| 11 | 768879 | 1 | CABLE, THROTTLE |
| 12 | 604324 | 8 | CS .250-20 X .75 HX FLG |
| 13 | 552809 | 1 | SVC, FENDER RS |
| 14 | 552810 | 1 | SVC, FENDER LS |
| 15 | 601982 | 1 | CN .250-20X .150 MAX THK |
| 16 | 552414 | 1 | SVC, FOOTREST |
| 17 | 602407 | 1 | DECAL, HUSTLER ID |
| 18 | 029629 | 2 | CS .375-16X0.75 HXF G5ZY |
| 19 | 016899 | 2 | NT .375-16HXG5 |
| 20 | 000331 | 1 | WIRE TIE, SMALL/SHORT |
| 21 | 604388 | 2 | DECAL, RAPTOR FENDER |
| 22 | 600899 | 1 | DECAL, PUMP BELT WARNING |
| 23 | 114052 | 1 | KIT, CLUTCH CONN. REP. |
| 24 | 601053 | 2 | RELAY, SEALED W/BRACKET |
| 25 | 605835 | 1 | WIRE HARNESS |

Comments for Page: Fenders, Instrument Panel & Wire Harness

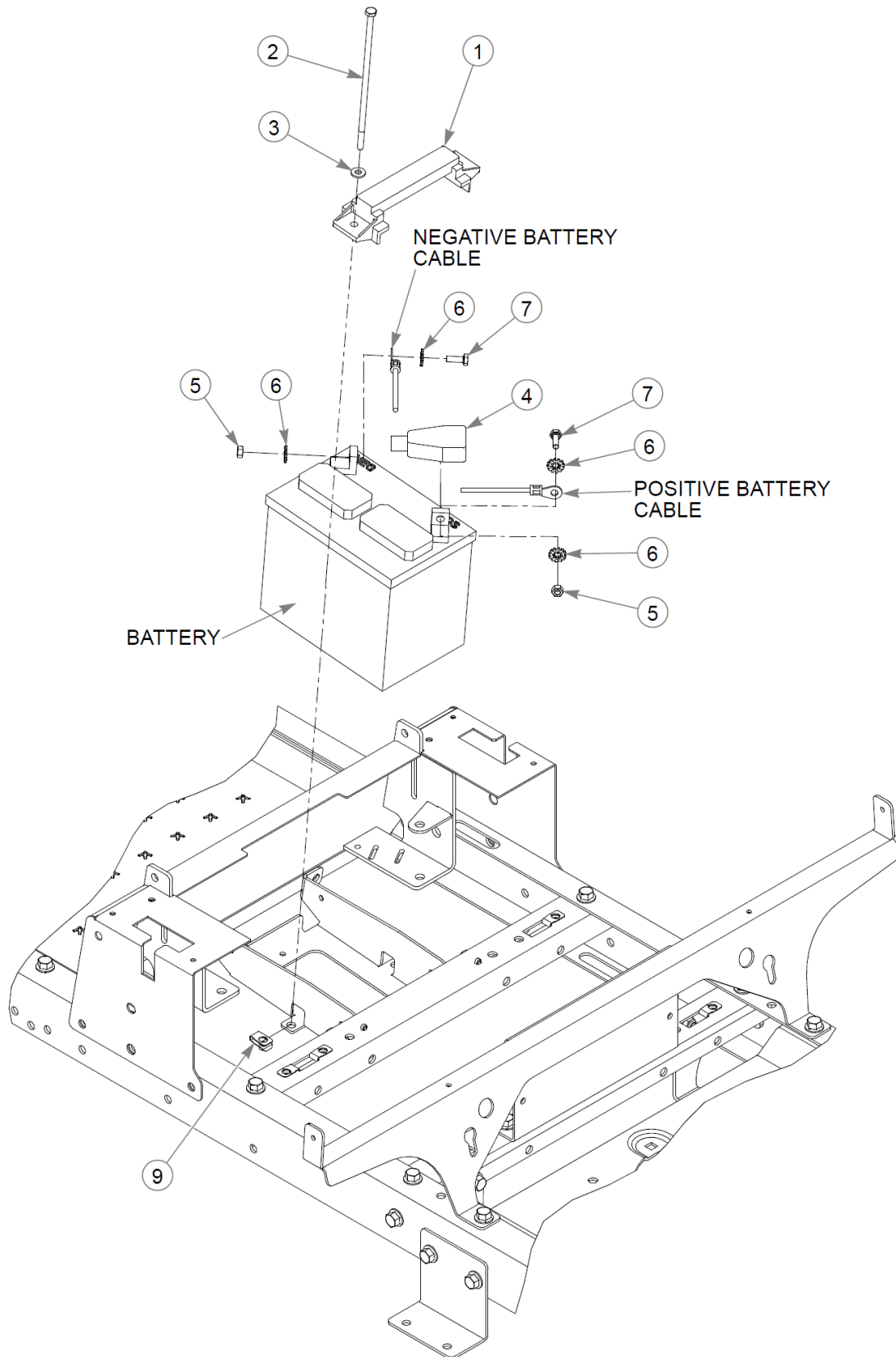
1. The instrument panel includes the decal.
2. The fenders and footrest include decals.
3. The sealed relay includes a bracket.

Engine Guard



Engine Guard

| Item | Part No. | Qty | Name |
|--|----------|-----|--------------------------|
| 1 | 122817 | 1 | KIT, ENGINE GUARD |
| Comments for Part Num. 122817 | | | |
| *IMPORTANT* - REFERENCE PRODUCT BULLETIN 571-R BEFORE ORDERING ENGINE GUARDNOTE: ENGINE GUARD KIT INCLUDES DECALS AND BOLTS. | | | |
| 2 | 604745 | 1 | DECAL, H LOGO, MFSD 36/4 |
| 3 | 029629 | 4 | CS .375-16X0.75 HXF G5ZY |
| 4 | 016899 | 4 | NT .375-16HXG5 |
| 5 | 602041 | 1 | DECAL, HOT |

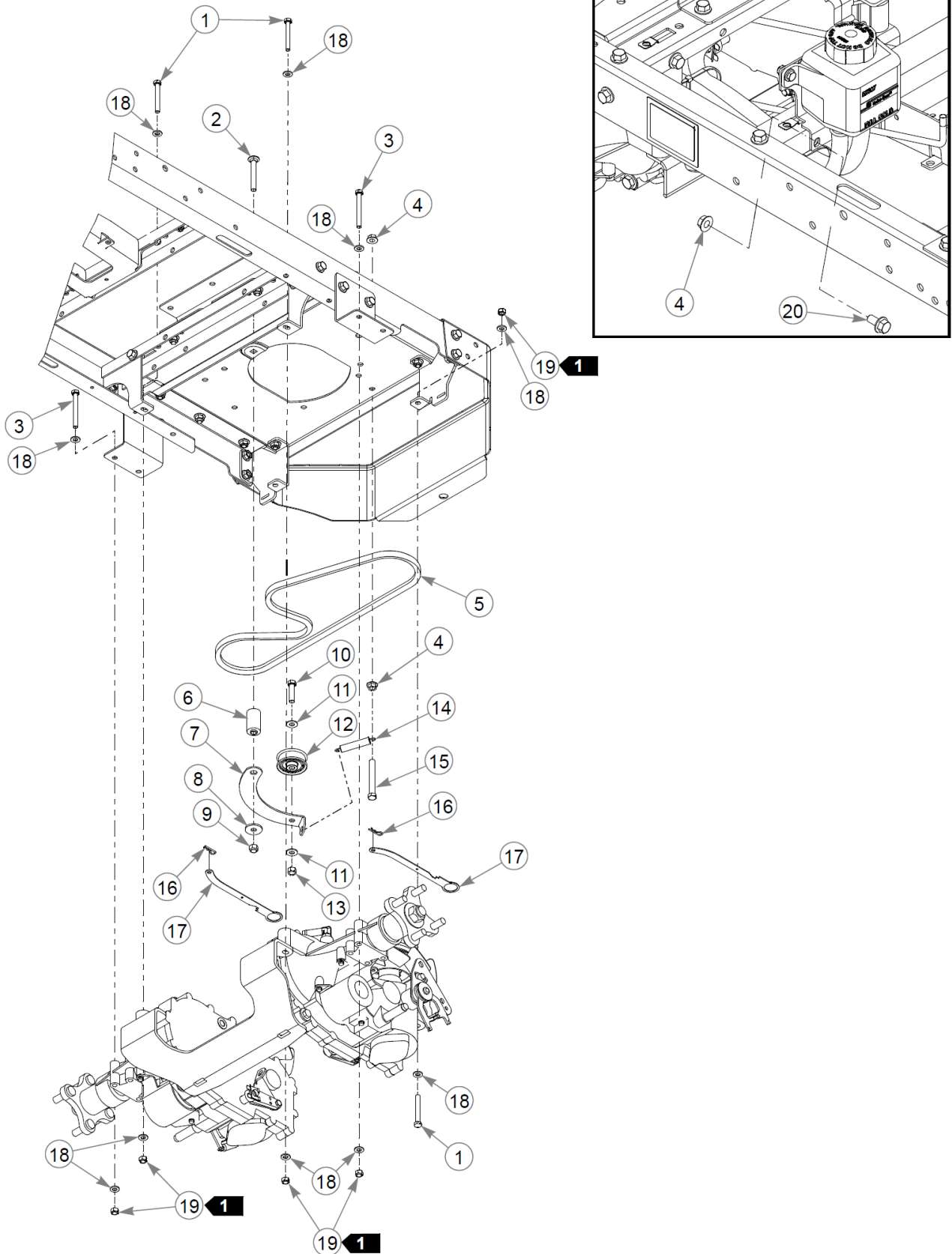


Battery

| Item | Part No. | Qty | Name |
|------|----------|-----|--------------------------|
| 1 | 604178 | 1 | STRAP, TIE DOWN |
| 2 | 604465 | 2 | CS .250-20X7.50 HX G5 ZC |
| 3 | 768515 | 2 | FW 0.281SAE |
| 4 | 771428 | 1 | BATTERY CBL BOOT-RED(FS) |
| 5 | 024927 | 2 | NT .250-20HXG5 |
| 6 | 029868 | 4 | LW .250 INTEXT ZY |
| 7 | 055939 | 2 | CS .250-20X0.75 HX G5 ZY |
| 8 | 000331 | 2 | WIRE TIE, SMALL/SHORT |
| 9 | 601982 | 2 | CN .250-20X .150 MAX THK |

Comments for Page: Battery

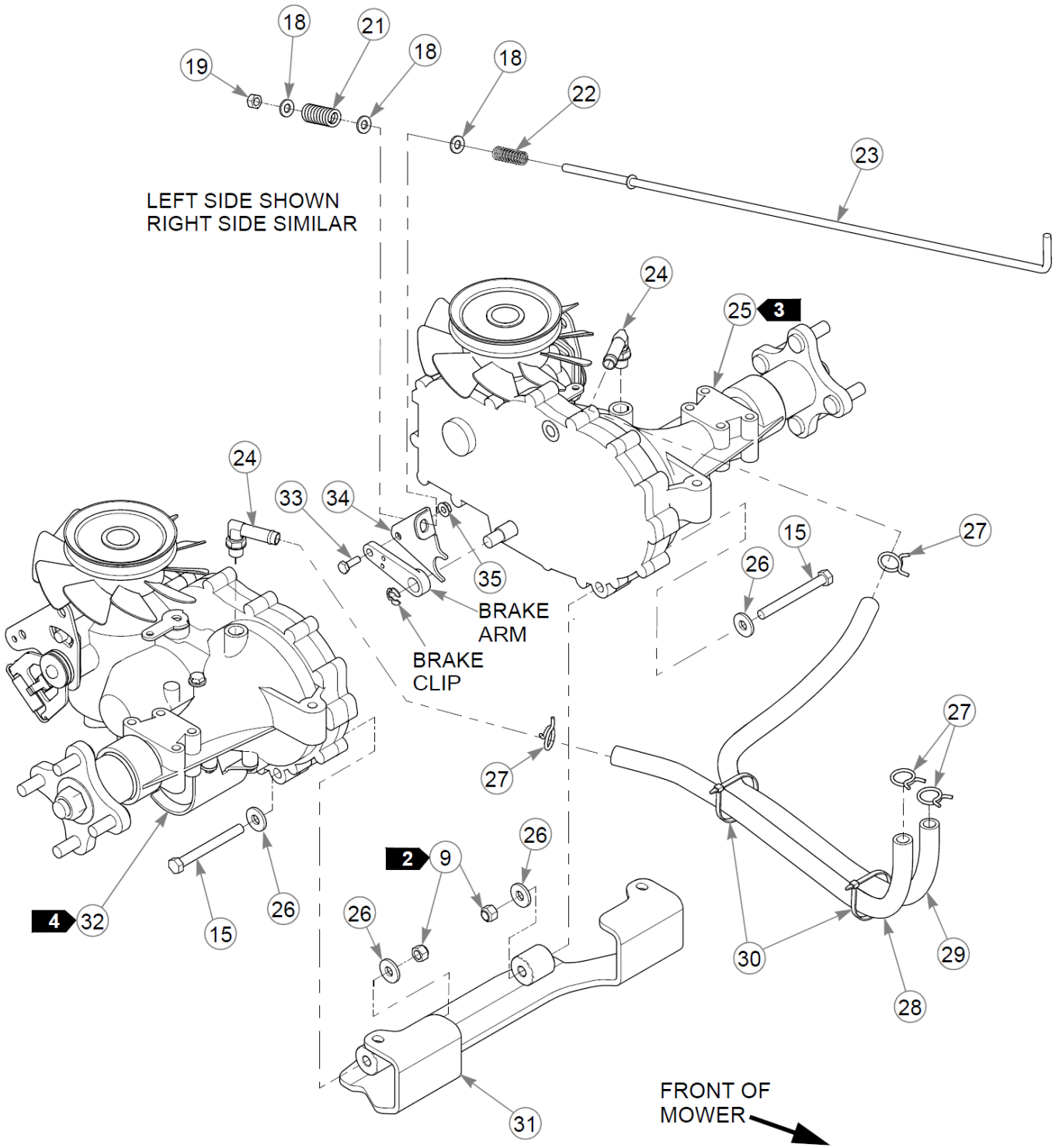
1. When performing service on the mower, disconnect the negative battery cable and do not reconnect it to the battery until ready to start the engine.



Transmission Assembly & Drive Belt (Multi-Page)

48" Raptor SD Parts Manual - 938340CE - HTRSDL048KAWFR691VC

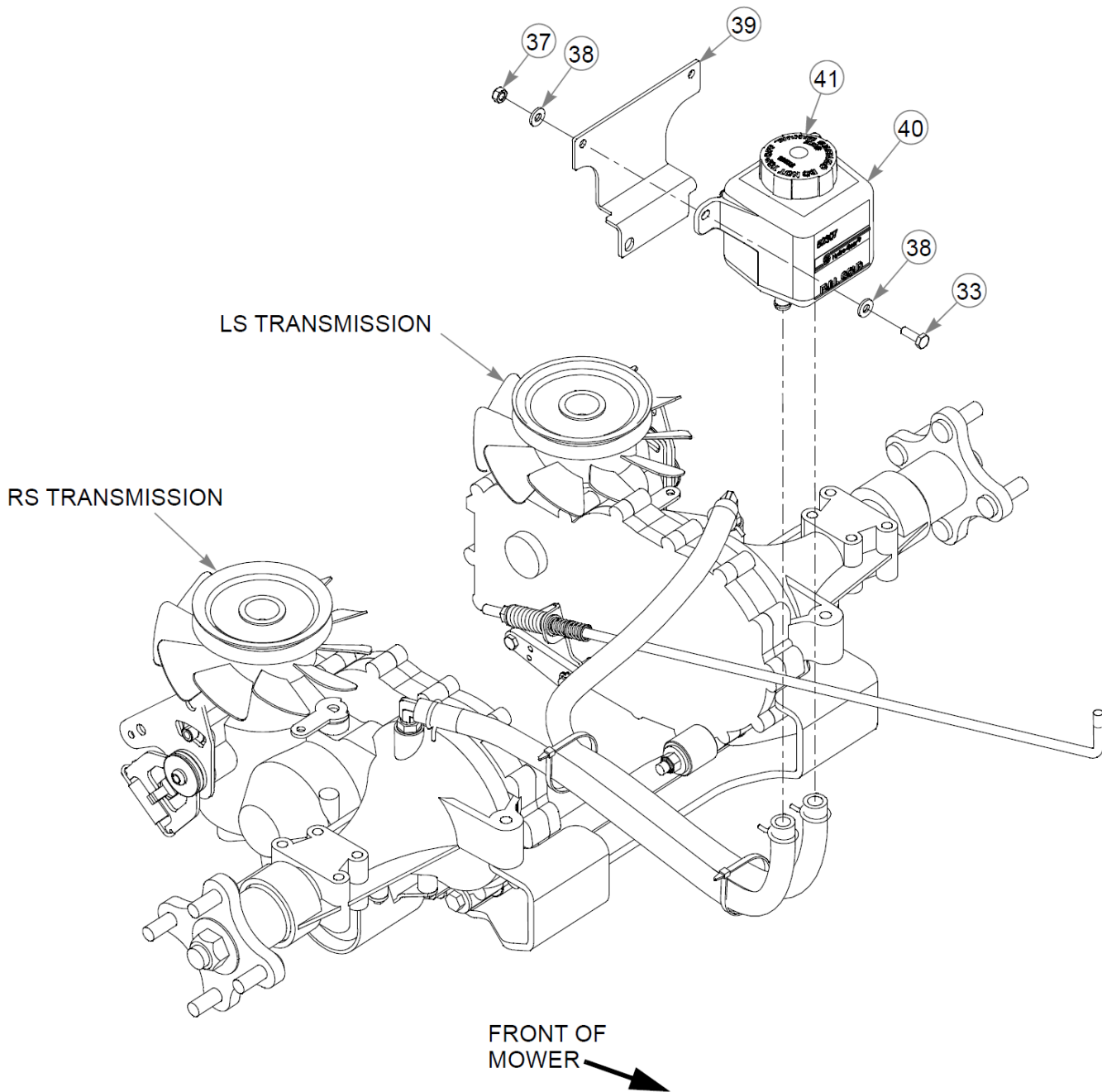
| Item | Part No. | Qty | Name |
|------|----------|-----|--------------------------|
| 1 | 710087 | 4 | CS .312-18X2.500HXG5 |
| 2 | 601887 | 1 | CB .375-16 X 2.75 STD ZN |
| 3 | 043067 | 4 | CS .312-18X3.000HXG5 |
| 4 | 016899 | 3 | NT .375-16HXG5 |
| 5 | 607400 | 1 | DRIVE BELT |
| 6 | 604714 | 1 | SPACER, IDLER |
| 7 | 116287 | 1 | IDLER ARM |
| 8 | 712893 | 1 | FW 0.406X1.25X.12 HD ZY |
| 9 | 086660 | 3 | NT .375-16NLG8 |
| 10 | 080655 | 1 | CS .375-16X1.500HXG5 |
| 11 | 767954 | 2 | FW 0.379X.82X.06 HD ZY |
| 12 | 604491 | 1 | PULLEY, 2.0" IDLER |
| 13 | 054502 | 1 | NT .375-16HXG5 |
| 14 | 604490 | 1 | SPRING, 3.00 X .50 EXT |
| 15 | 005108 | 3 | CS .375-16X3.500HXG5 |
| 16 | 706549 | 2 | HP0.080X1.190 |
| 17 | 118310 | 2 | LINK, TOW VALVE |
| 18 | 768523 | 22 | FW 0.343SAE |
| 19 | 058776 | 10 | NT .312-18NLG5 |
| 20 | 029629 | 1 | CS .375-16X0.75 HXF G5ZY |
| 21 | 601051 | 2 | OVERTRAVEL SPRING |
| 22 | 601131 | 2 | SPRING, BRAKE ARM RET. |
| 23 | 604667 | 2 | ROD, BRAKE ACTUATOR |
| 24 | 601219 | 2 | FTG, 90 - 9/16 SAE |
| 25 | 604709 | 1 | ZT2800, 20.69:1 TRANS |
| 26 | 712919 | 4 | FW 0.406X1.00X.12 HD ZY |
| 27 | 601001 | 4 | SPRING CLAMP, .75" DIA |
| 28 | 787713 | 1 | HOSE, 1/2" LOW PRESSURE |
| 29 | 787713 | 1 | HOSE, 1/2" LOW PRESSURE |
| 30 | 000331 | 2 | WIRE TIE, SMALL/SHORT |
| 31 | 123292 | 1 | KIT, CROSSBRACE |
| 32 | 604708 | 1 | ZT2800, 20.69:1 TRANS |
| 33 | 055939 | 4 | CS .250-20X0.75 HX G5 ZY |
| 34 | 109203 | 1 | BRAKE SPRING LINK, LS |
| 35 | 016816 | 2 | NT .250-20FLKG5 |
| 36 | 109202 | 1 | BRAKE SPRING LINK, RS |



Transmission Assembly & Drive Belt (Multi-Page)

48" Raptor SD Parts Manual - 938340CE - HTRSDL048KAWFR691VC

| Item | Part No. | Qty | Name |
|------|----------|-----|------------------------|
| 37 | 068551 | 2 | NT .250-20 HXZY NL |
| 38 | 768515 | 4 | FW 0.281SAE |
| 39 | 118284 | 1 | EXPANSION TANK MNT |
| 40 | 601996 | 1 | EXPANSION TANK, ZT2800 |
| 41 | 600767 | 1 | CAP, OVERFLOW TANK |



Transmission Assembly & Drive Belt (Multi-Page)

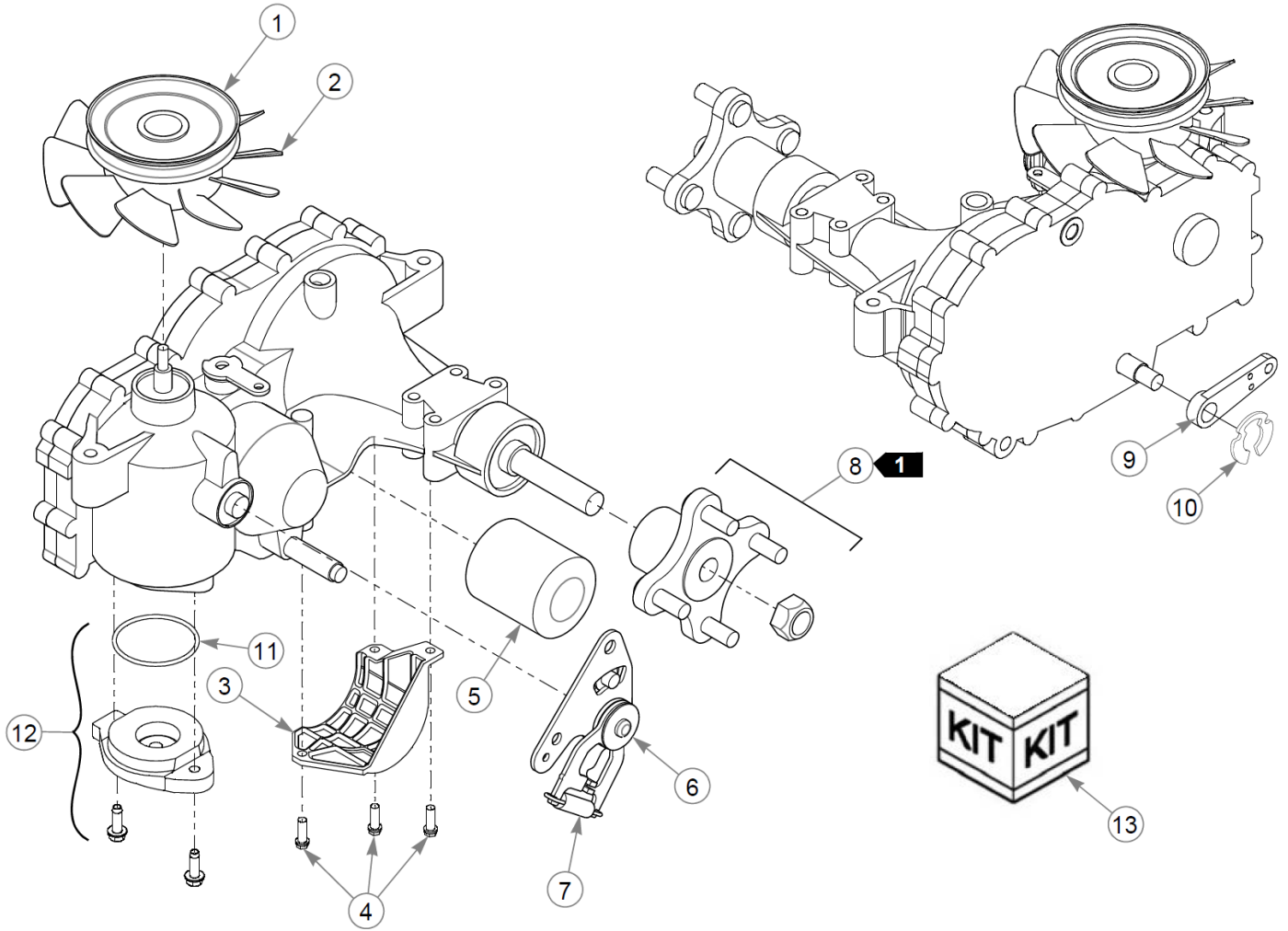
Comments for Page: Transmission Assembly & Drive Belt (Multi-Page)

1. Torque to 23 N•m.
2. Torque to 41 N•m.
3. Left Side transmission.
4. Right Side transmission.

HOSE LENGTHS

A: 71 cm LEFT TRANSMISSION TO OVERFLOW TANK

B: 48 cm RIGHT TRANSMISSION TO OVERFLOW TANK

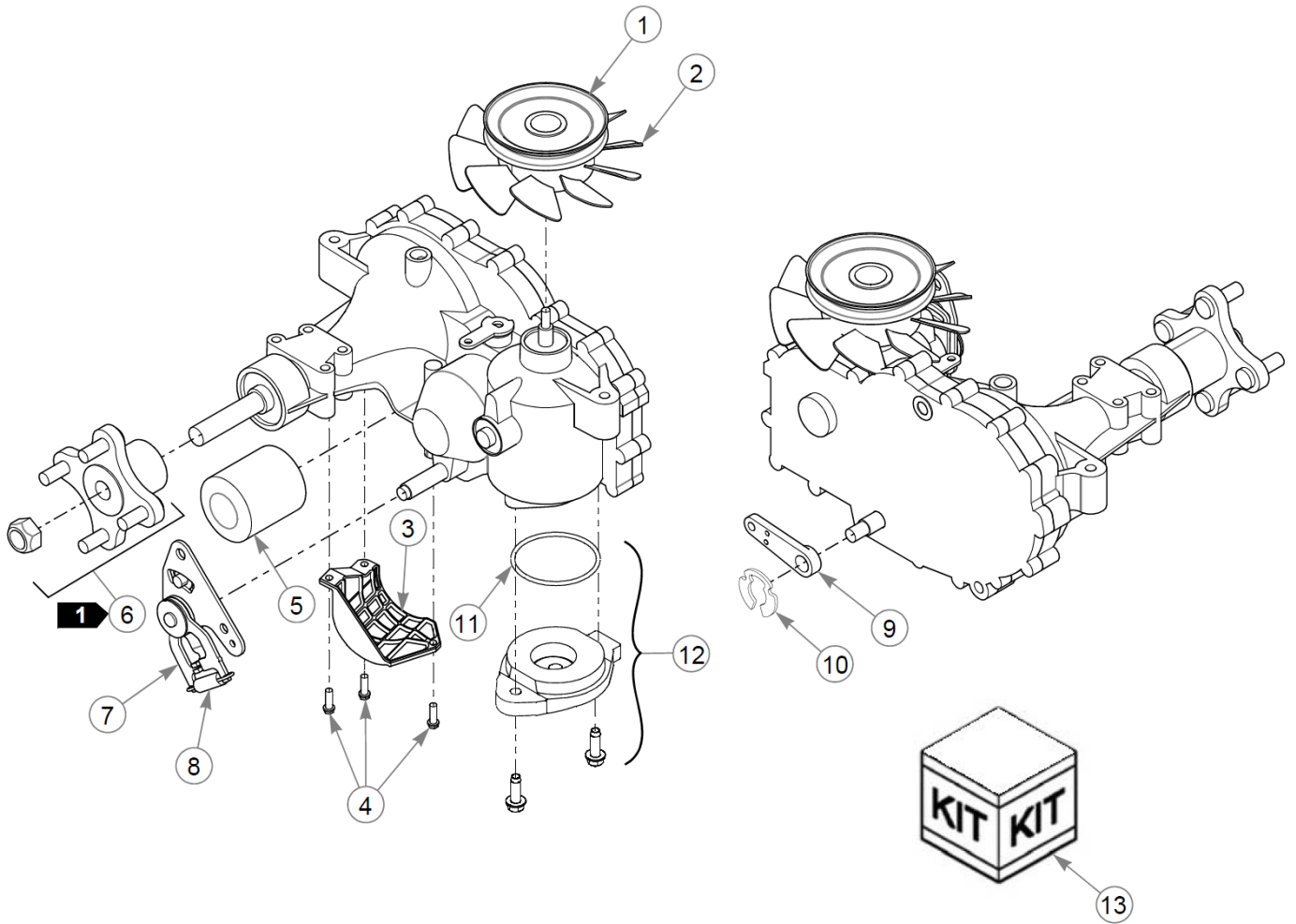


Transmission Service Parts - 604708

| Item | Part No. | Qty | Name |
|-----------|----------|-----|--------------------------|
| 1 | 602094 | 1 | FAN / PULLEY KIT |
| 2 | 607729 | 1 | FAN - 7.0" (10 BLADE) |
| 3 | 600975 | 1 | GUARD, TRANS FILTER |
| 4 | 604324 | 3 | CS .250-20 X .75 HX FLG |
| 5 | 600976 | 1 | HYDRAULIC OIL FILTER |
| 6 | 604901 | 1 | HG RTN CW |
| 7 | 604903 | 1 | HG RTN SPRING |
| 8 | 600970 | 1 | KIT, HUB, 4 BOLT |
| 9 | 601221 | 1 | ZT2800 BRAKE ARM - 2007 |
| 10 | 600972 | 1 | CLIP, RETAINING |
| 11 | 603223 | 1 | O-RING, ZT28/3100 CHARGE |
| 12 | 603572 | 1 | COVER, ZT3100 CHRG PUMP |
| 13 | 606830 | 1 | OIL RETENSION KIT, |
| Not Shown | 607199 | 1 | SEAL KIT 72994 HYDRO-G |

Comments for Page: Transmission Service Parts - 604708

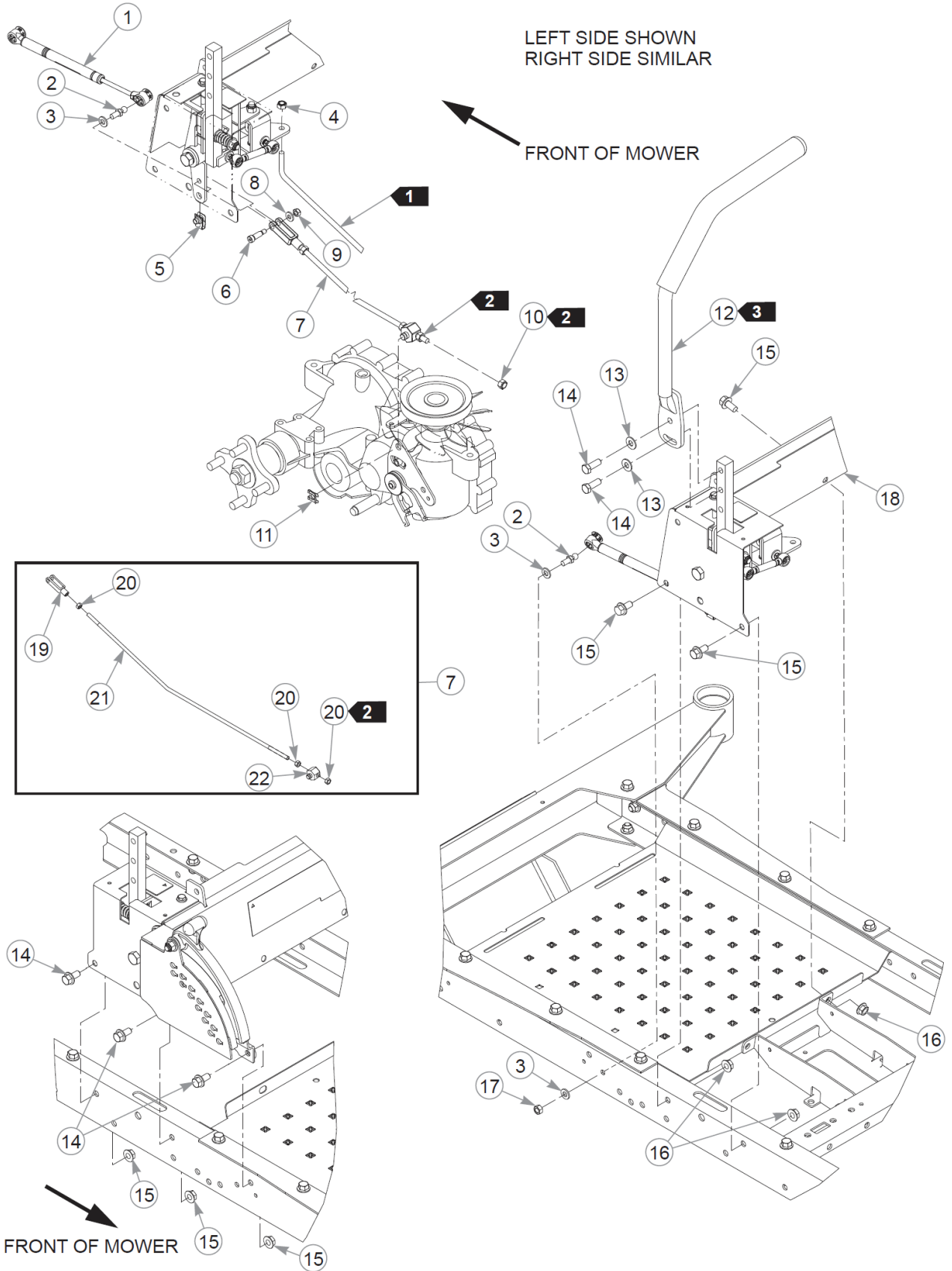
1. Hub kit (600970) includes the hub nut.



| Item | Part No. | Qty | Name |
|-----------|----------|-----|--------------------------|
| 1 | 602094 | 1 | FAN / PULLEY KIT |
| 2 | 607729 | 1 | FAN - 7.0" (10 BLADE) |
| 3 | 600974 | 1 | GUARD, TRANS FILTER |
| 4 | 604324 | 3 | CS .250-20 X .75 HX FLG |
| 5 | 600976 | 1 | HYDRAULIC OIL FILTER |
| 6 | 600970 | 1 | KIT, HUB, 4 BOLT |
| 7 | 604902 | 1 | HG RTN CCW |
| 8 | 604903 | 1 | HG RTN SPRING |
| 9 | 601221 | 1 | ZT2800 BRAKE ARM - 2007 |
| 10 | 600972 | 1 | CLIP, RETAINING |
| 11 | 603223 | 1 | O-RING, ZT28/3100 CHARGE |
| 12 | 603572 | 1 | COVER, ZT3100 CHRG PUMP |
| 13 | 606830 | 1 | OIL RETENSION KIT, |
| Not Shown | 607199 | 1 | SEAL KIT 72994 HYDRO-G |

Comments for Page: Transmission Service Parts - 604709

1. Hub kit (600970) includes the hub nut.



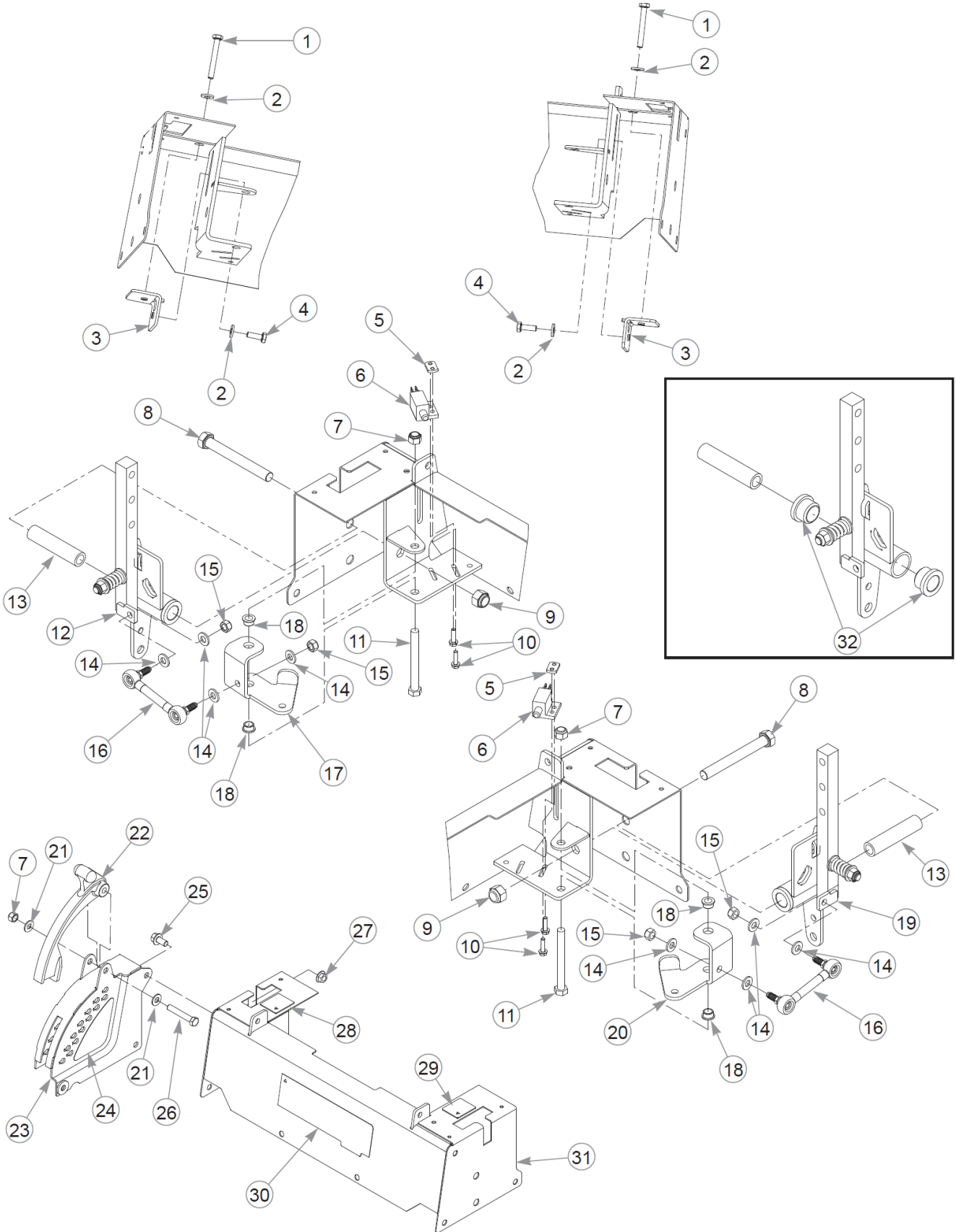
Steering & Brake

| Item | Part No. | Qty | Name |
|-----------|----------|-----|--------------------------|
| 1 | 603983 | 2 | DAMPER |
| 2 | 781922 | 4 | BALL STUD |
| 3 | 768523 | 6 | FW 0.343SAE |
| 4 | 058776 | 2 | NT .312-18NLG5 |
| 5 | 601069 | 2 | CN .312-18x.200 MAX THK |
| 6 | 772483 | 2 | SB0.312X0.750SH0.250-20 |
| 7 | 606273 | 2 | STEERING ROD S/A |
| 8 | 768515 | 2 | FW 0.281SAE |
| 9 | 068551 | 2 | NT .250-20 HXZY NL |
| 10 | 023655 | 2 | NT 0.312-24 NL G8 |
| 11 | 606575 | 2 | CLIP, SAFETY |
| 12 | 110370 | 2 | STEERING BAR W/ GRIP |
| Not Shown | 781260 | 1 | GRIP, STEERING BAR |
| 13 | 767954 | 4 | FW 0.379X.82X.06 HD ZY |
| 14 | 036244 | 4 | CS .375-16X1.00 HX G5 ZY |
| 15 | 029629 | 7 | CS .375-16X0.75 HXF G5ZY |
| 16 | 016899 | 7 | NT .375-16HXG5 |
| 17 | 034272 | 2 | NT .312-18HXG5 |
| 18 | N/A | 1 | STEERING COVER ASSEMBLY |
| 19 | 604173 | 2 | YOKE, 5/16-24 |
| 20 | 041152 | 6 | NT 0.312-24 HX G8 |
| 21 | 604666 | 2 | ROD, STEERING |
| 22 | 116144 | 2 | BLOCK, STEERING CONTROL |

Comments for Page: Steering & Brake

1. Part of the transmission assembly.
2. Torque to 19 N•m.
3. The steering bar (110370) includes the grip (781260).

Steering Cover Assembly



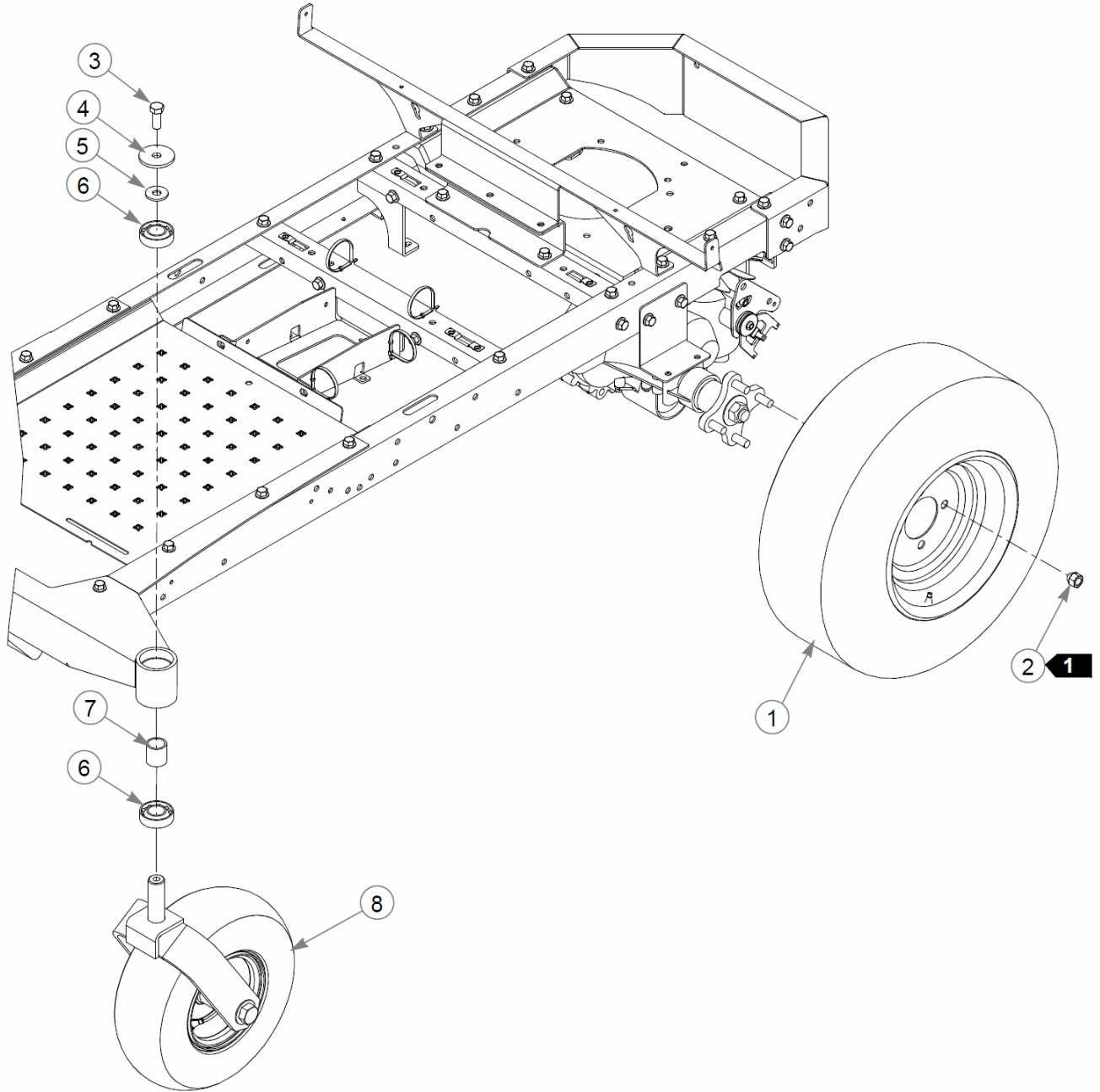
Steering Cover Assembly

| Item | Part No. | Qty | Name |
|------|----------|-----|--------------------------|
| 1 | 604452 | 2 | CS .250-20X2.00 HX FH ZY |
| 2 | 768515 | 4 | FW 0.281SAE |
| 3 | 605529 | 2 | STOP, STEERING |
| 4 | 055939 | 2 | CS .250-20X0.75 HX G5 ZY |
| 5 | 601822 | 2 | NUT PLATE, .420 CENTERS |
| 6 | 781211 | 2 | SWITCH, PUSH BUTTON |
| 7 | 086660 | 3 | NT .375-16NLG8 |
| 8 | 781708 | 2 | CS .500-13X4.25 HX G5 ZY |
| 9 | 781567 | 2 | NT .500-13NLG5 |
| 10 | 063198 | 4 | CS #10-24X0.750FLKG5 |
| 11 | 005108 | 2 | CS .375-16X3.500HXG5 |
| 12 | 606106 | 1 | STEERING BOX SUB, LH |
| 13 | 604288 | 2 | SPACER, STEERING |
| 14 | 768523 | 8 | FW 0.343SAE |
| 15 | 058776 | 4 | NT .312-18NLG5 |
| 16 | 604179 | 2 | BRAKE LINK |
| 17 | 116142 | 1 | BRAKE BLCRNK, LH |
| 18 | 765339 | 4 | BUSHING,IGUS#0608 (FS) |
| 19 | 606105 | 1 | STEERING BOX SUB, RH |
| 20 | 116141 | 1 | BRAKE BLCRNK, RH |
| 21 | 767954 | 2 | FW 0.379X.82X.06 HD ZY |
| 22 | 605149 | 1 | TRANSPORT LATCH |
| 23 | 118011 | 1 | INDICATOR W/A |
| 24 | 604819 | 1 | DECAL, DECK HEIGHT |
| 25 | 029629 | 1 | CS .375-16X0.75 HXF G5ZY |
| 26 | 056036 | 1 | CS .375-16X2.250HXG5 |
| 27 | 016899 | 1 | NT .375-16HXG5 |
| 28 | 785220 | 1 | DECAL, STEERING R.S. |
| 29 | 785139 | 1 | DECAL, STEERING L.S. |
| 30 | 604840 | 1 | DECAL, ID RSD |
| 31 | 551698 | 1 | STEERING COVER, SERVICE |
| 32 | 781153 | 2 | BUSHING, UHMW |

Comments for Page: Steering Cover Assembly

1. The steering cover includes the decals.

Wheel & Tire



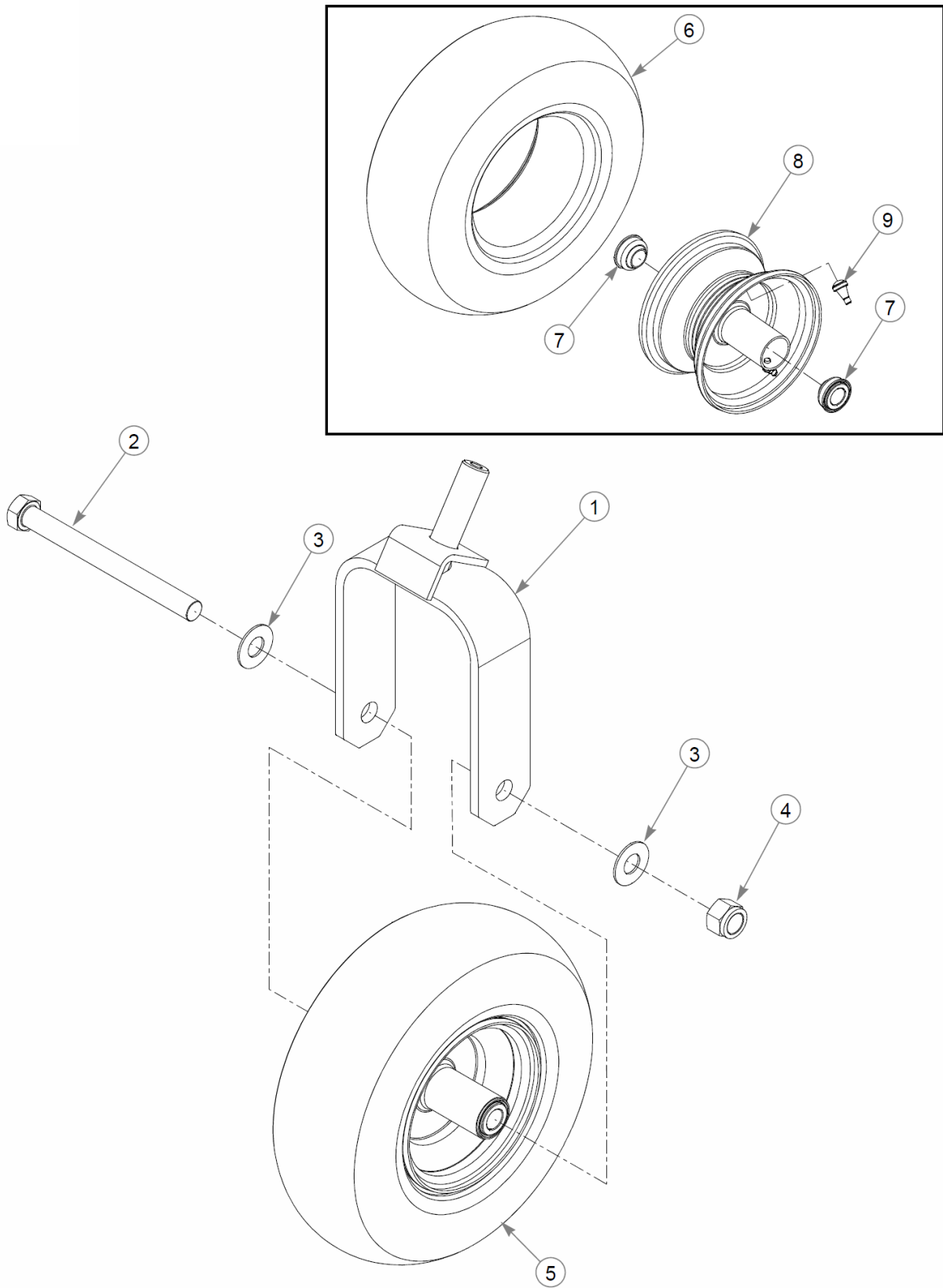
Wheel & Tire

| Item | Part No. | Qty | Name |
|------|----------|-----|--------------------------|
| 1 | 600676 | 2 | TIR/WHL 20X8.00-10 SLV |
| 2 | 061077 | 8 | WHEEL NUT |
| 3 | 705954 | 2 | CS .500-13X1.25 HX G5 ZY |
| 4 | 344267 | 2 | FW .510X2.15X.19 ZY |
| 5 | 712976 | 2 | FW 0.531X1.38X.12 ZY |
| 6 | 784223 | 4 | BEARING |
| 7 | 784603 | 2 | SPACER |
| 8 | N/A | 1 | TIRE/WHEEL ASSEMBLY |

Comments for Page: Wheel & Tire

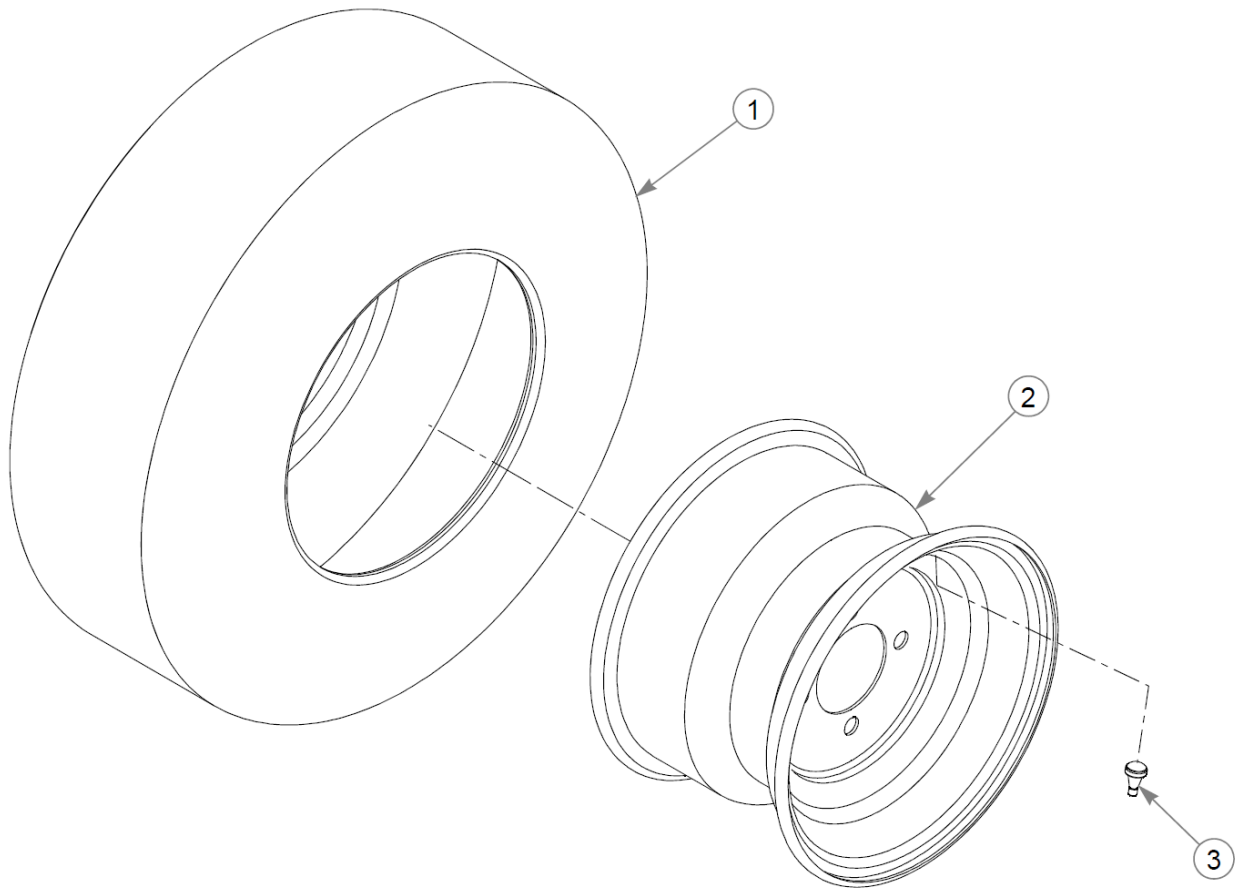
1. Torque to 88–102 N•m.

Front Wheel Assembly Breakdown



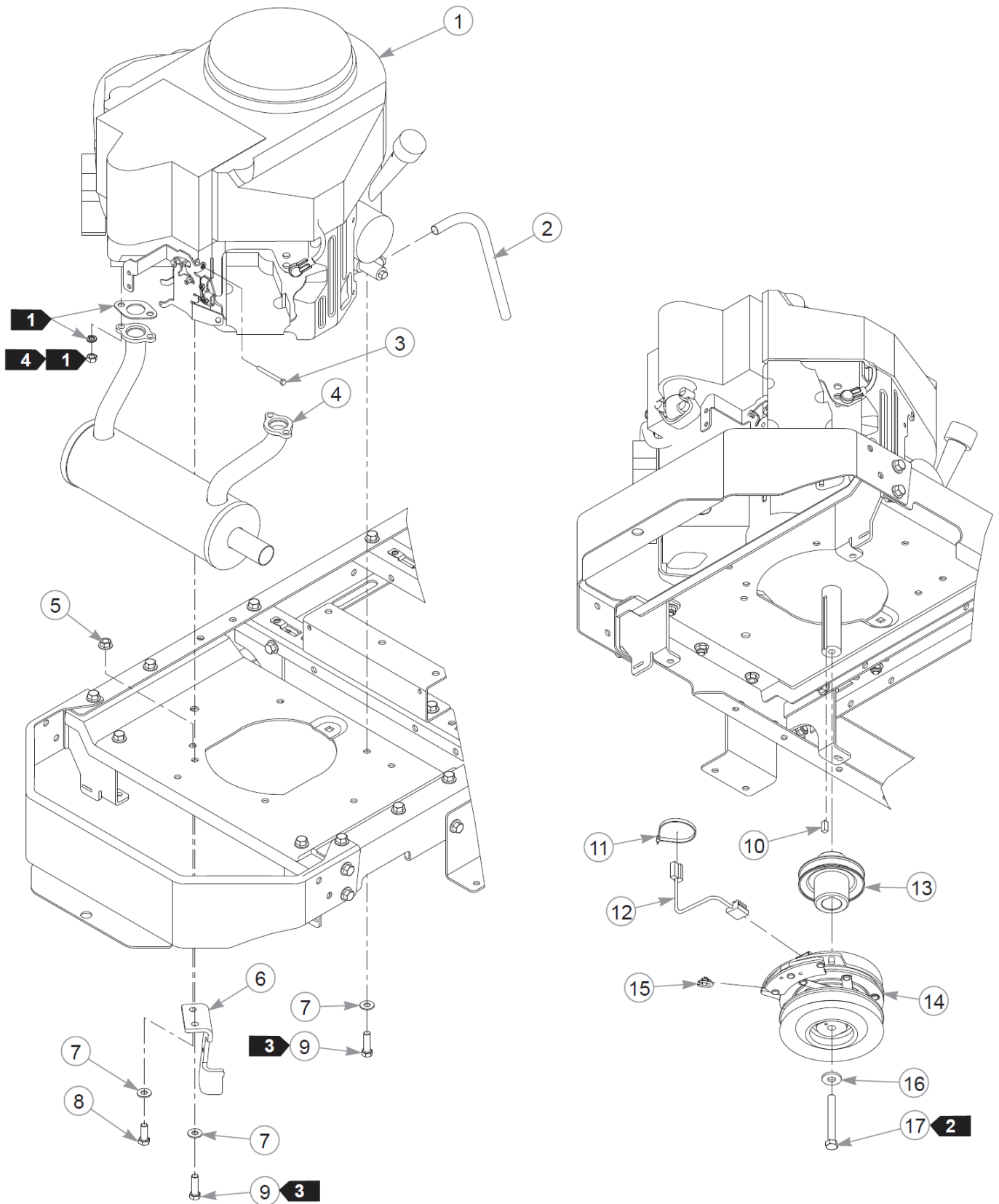
Front Wheel Assembly Breakdown

| Item | Part No. | Qty | Name |
|------|----------|-----|--------------------------|
| 1 | 605042 | 1 | FORK W/A, 13X5 |
| 2 | 786731 | 1 | CS .750-10X8.000HXG5 |
| 3 | 025296 | 2 | FW .760X1.63X0.08 ZY |
| 4 | 061101 | 1 | NT .750-10 HX ZY NL GR B |
| 5 | 605038 | 1 | TIR/WHL 13X5.00-6 SLV |
| 6 | 605039 | 1 | TIR 13X5.00-6 B4R SMTH |
| 7 | 786103 | 2 | WHEEL BEARING |
| 8 | 786079 | 1 | WHL 6X3.25 SLV |
| 9 | 019521 | 1 | TIRE VALVE TR-412 GOODY |

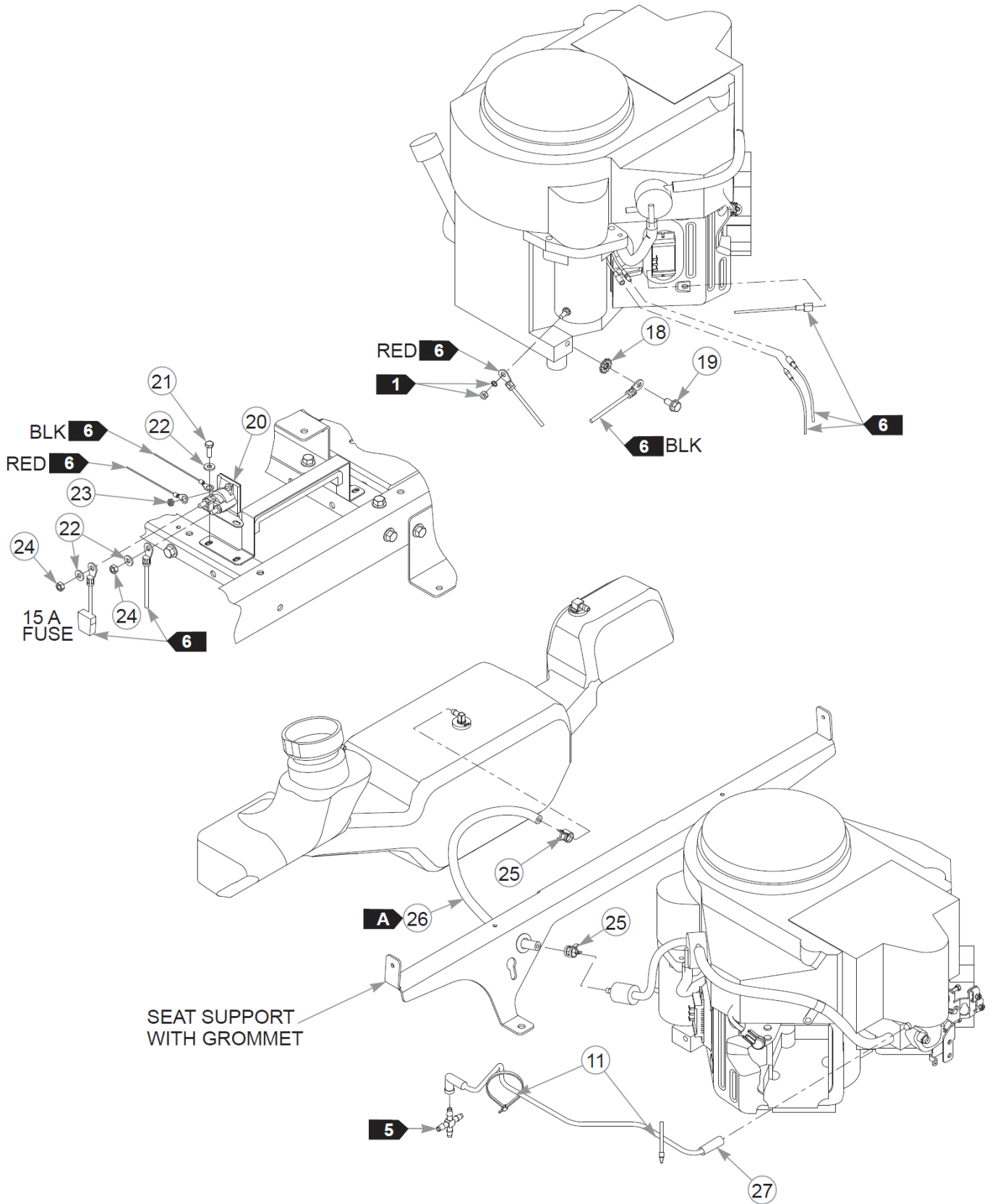


Drive Wheel Breakdown

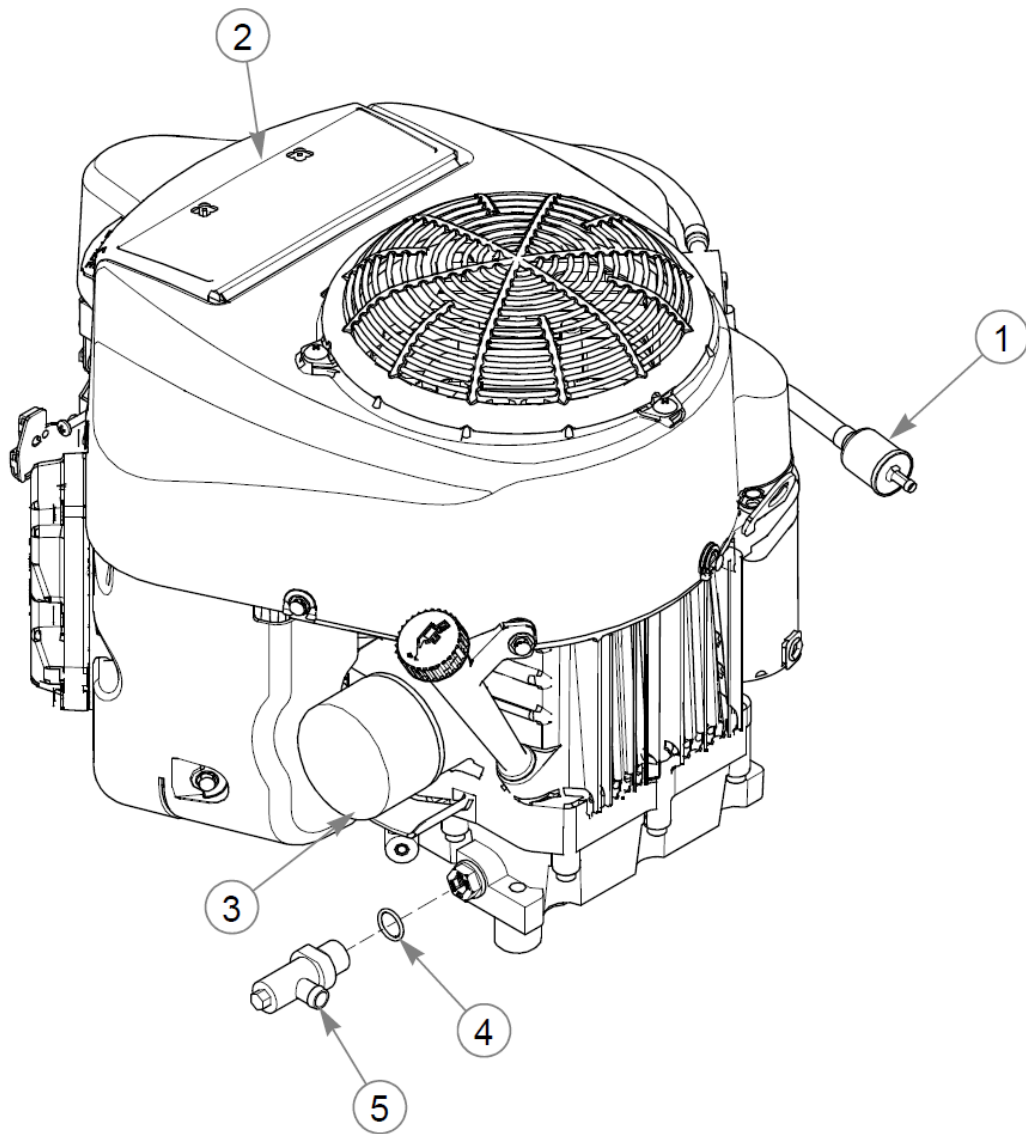
| Item | Part No. | Qty | Name |
|------|----------|-----|-------------------------|
| 1 | 600692 | 1 | TIR 20X8.00-10 B4R GRMR |
| 2 | 600718 | 1 | WHL 10X7.00 4X4.0 SLV |
| 3 | 019521 | 1 | TIRE VALVE TR-412 GOODY |



| Item | Part No. | Qty | Name |
|--|----------|-------|--------------------------|
| 1 | | 1 | ENGINE, KAW FR691V |
| 2 | 604463 | 30 cm | HOSE, OIL DRAIN |
| 3 | 603524 | 1 | CS M5-0.8 X 50 MM |
| 4 | 604016 | 1 | MUFFLER, FR730V |
| 5 | 016899 | 1 | NT .375-16HXG5 |
| 6 | 121625 | 1 | CLUTCH ANCHOR |
| 7 | 767954 | 5 | FW 0.379X.82X.06 HD ZY |
| 8 | 036244 | 1 | CS .375-16X1.00 HX G5 ZY |
| 9 | 602580 | 4 | CS .375-16X1.25HXG8ZYP85 |
| 10 | 712372 | 1 | KEY 1/4 SQ X 0.66 LG(FS) |
| 11 | 000331 | 4 | WIRE TIE, SMALL/SHORT |
| 12 | 791251 | 1 | HARNESS, CLUTCH PIGTAIL |
| <p>Comments for Part Num. 791251</p> <p>Pigtail was updated with epoxy to hold the wires steady. The wire sheath was also updated to a more flexible material.</p> | | | |
| 13 | 605675 | 1 | PULLEY, ENG 4.118 OP |
| 14 | 605777K | 1 | CLUTCH KIT, 605777 |
| 15 | 605595 | 1 | BUSHING, CLUTCH |
| 16 | 602680 | 1 | FW .453X1.12X.12 HRD ZY |
| 17 | 601834 | 1 | CS .437-20X3.25 HXG5 P85 |
| 18 | 029876 | 1 | LW .312 INTEXT ZY |
| 19 | 720516 | 1 | CS M8-1.25X16HX FL10.9 |
| 20 | 030817 | 1 | STARTER SOLENOID HW KIT |
| 21 | 055939 | 2 | CS .250-20X0.75 HX G5 ZY |
| 22 | 768515 | 4 | FW 0.281SAE |
| 23 | 044255 | 1 | NT #10-32HXG5 |
| 24 | 024927 | 2 | NT .250-20HXG5 |
| 25 | 000323 | 2 | CLIP, HOSE CLAMP |
| 26 | 015818 | 46 cm | FUEL LINE, 1/4" |
| <p>Comments for Part Num. 015818</p> <p>Sold by the foot.</p> | | | |
| 27 | 604274 | 1 | VAPOR LINE, 3/16 FORMED |

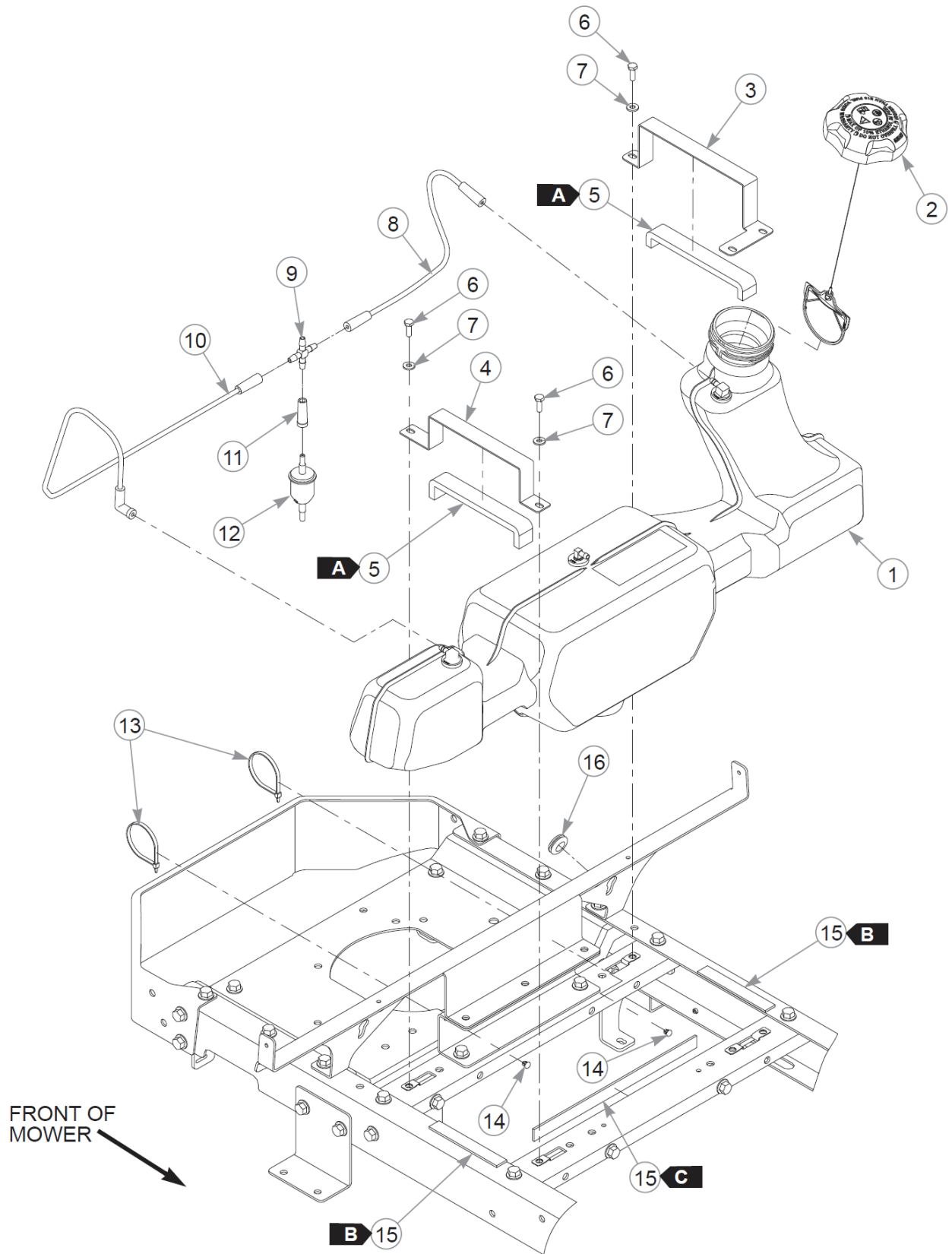


This page intentionally left blank



Engine Service Parts

| Item | Part No. | Qty | Name |
|------|----------|-----|-----------------------|
| 1 | 068478 | 1 | FUEL FILTER - IN LINE |
| 2 | 603059 | 1 | AIR FILTER - MAIN |
| 3 | 602581 | 1 | ENGINE OIL FILTER |
| 4 | 604369 | 1 | O-RING |
| 5 | 604350 | 1 | VALVE, OIL DRAIN |

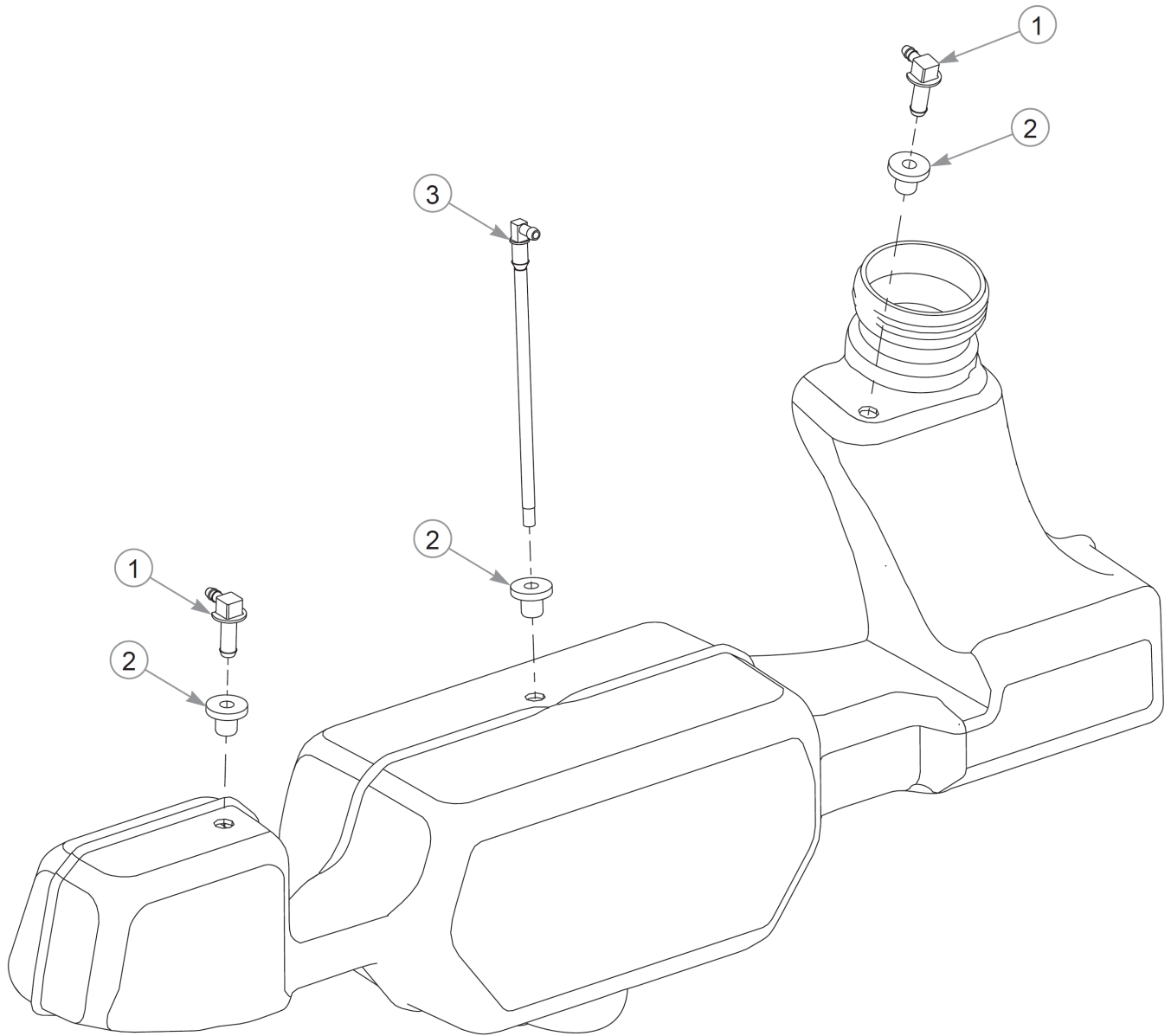


Fuel System

| Item | Part No. | Qty | Name |
|------|----------|-------|--------------------------|
| 1 | 606432 | 1 | FUEL TANK |
| 2 | 603807 | 1 | CAP, 3.5" RATCHETING GAS |
| 3 | 117059 | 1 | TANK MNT LEFT |
| 4 | 117060 | 1 | TANK MNT RIGHT |
| 5 | 713198 | 18.5" | SEAL 3/8x3/4 SOLD BY FT |
| 6 | 055939 | 3 | CS .250-20X0.75 HX G5 ZY |
| 7 | 768515 | 3 | FW 0.281SAE |
| 8 | 604279 | 1 | VAPOR LINE, 3/16 FORMED |
| 9 | 604322 | 1 | 1/4" HOSE BARB CROSS |
| 10 | 604273 | 1 | VAPOR LINE, 3/16 FORMED |
| 11 | 604292 | 1 | BOOT, 3/16" TO 1/4" BARB |
| 12 | 604323 | 1 | FILTER, VAPOR SYSTEM |
| 13 | 000331 | 2 | WIRE TIE, SMALL/SHORT |
| 14 | 604307 | 2 | MOUNT, PUSH BUTTON |
| 15 | 033035 | 22" | WEATHERSTRIP .12X.75 |
| 16 | 601400 | 1 | GM .63 x1.13 x.88 x .13 |

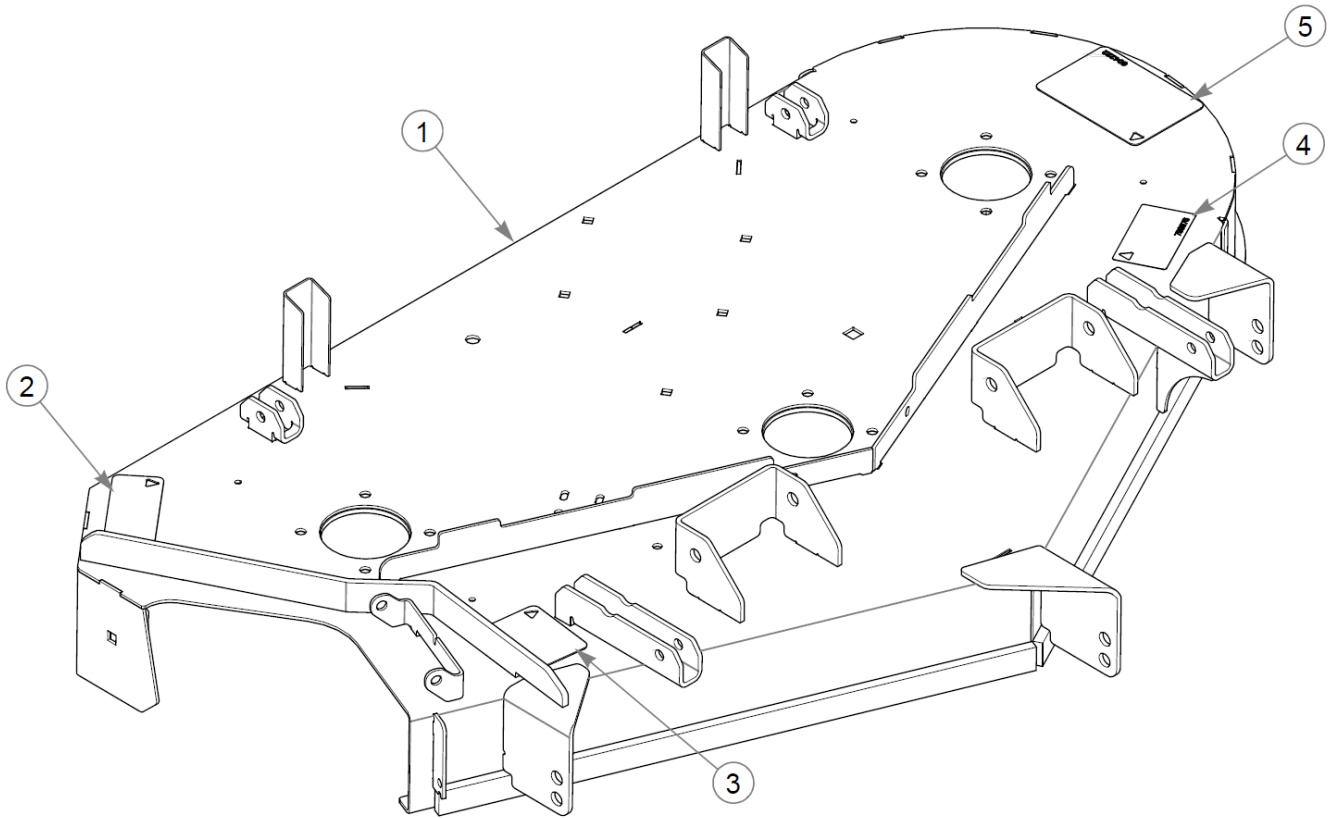
Comments for Page: Fuel System

WEATHERSTRIP & SEAL LENGTHA: 23.5 cmB: 13 cmC: 30 cm



Fuel Tank Service Parts

| Item | Part No. | Qty | Name |
|------|----------|-----|-----------------------|
| 1 | 604199K | 2 | SVC KIT, VENT FITTING |
| 2 | 604200K | 3 | SVC KIT, GROMMET |
| 3 | 605126K | 1 | SVC KIT, SUCTION HOSE |

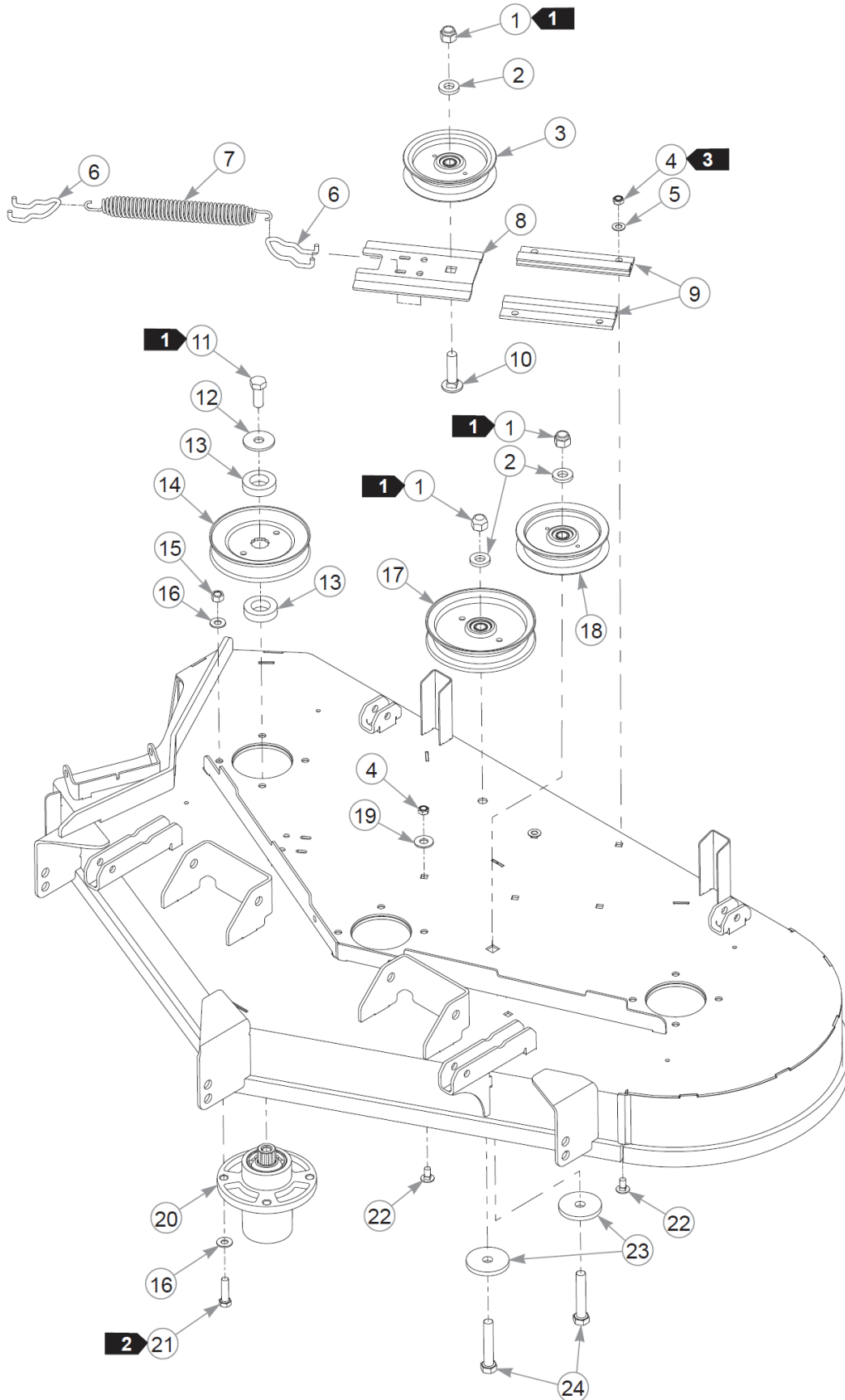


Service Deck

| Item | Part No. | Qty | Name |
|------|----------|-----|-------------------------|
| 1 | 554449 | 1 | 48" SERVICE DECK |
| 2 | 601624 | 1 | DECAL, DISCHARGE CHUTE |
| 3 | 601837 | 1 | DECAL, DECK DANGERS |
| 4 | 793976 | 1 | DECAL,48"DECK ID |
| 5 | 604222 | 1 | DECAL, DANGER / OBJECTS |

Comments for Page: Service Deck

1. The deck includes the decals.

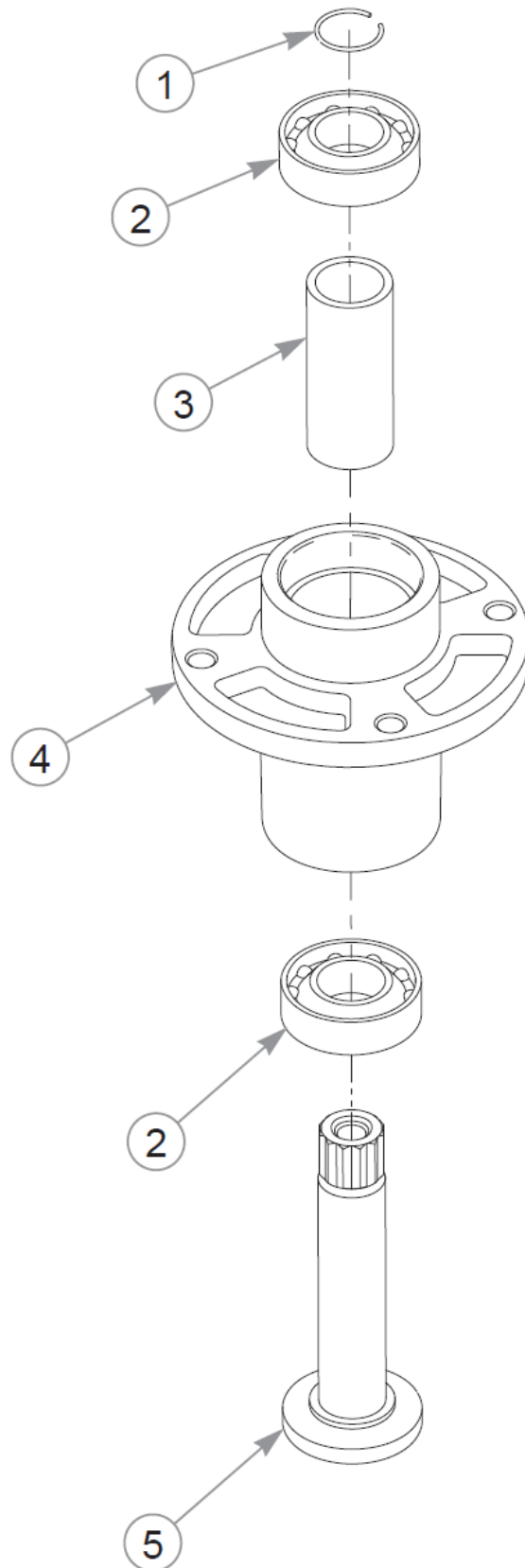


Deck Pulleys & Spindles

| Item | Part No. | Qty | Name |
|------|----------|-----|--------------------------|
| 1 | 781567 | 3 | NT .500-13NLG5 |
| 2 | 767962 | 3 | FW .531 x 1.063 x .175 |
| 3 | 603986 | 1 | IDLER PULLEY, 4.00" FLAT |
| 4 | 604251 | 5 | NT .312-18 HXNL JAM G2ZN |
| 5 | 604252 | 4 | FW .340X.68X.04 ZY |
| 6 | 604110 | 2 | ANCHOR, SPRING TENSIONER |
| 7 | 607616 | 1 | SPRING, DECK IDLER |
| 8 | 604194 | 1 | SLED, IDLER |
| 9 | 604079 | 2 | IDLER SLIDE, EXTRUDED |
| 10 | 604253 | 1 | CB .50-13 X 2.00 STD ZN |
| 11 | 705954 | 3 | CS .500-13X1.25 HX G5 ZY |
| 12 | 798603 | 3 | FW .515X1.65X.12 HD ZY |
| 13 | 604661 | 6 | SPACER, SPINDLE PULLEY |
| 14 | 604665 | 3 | PULLEY, DECK DRIVE B-SEC |
| 15 | 054502 | 12 | NT .375-16HXG5 |
| 16 | 767954 | 24 | FW 0.379X.82X.06 HD ZY |
| 17 | 604231 | 1 | PULLEY, IDLER 5.00" O.D. |
| 18 | 604219 | 1 | IDLER PULLEY, 4.00" FLAT |
| 19 | 017129 | 1 | FW .440X1.00X0.08 ZY |
| 20 | 601804 | 3 | SPINDLE ASSEMBLY |
| 21 | 005116 | 12 | CS .375-16X1.38 HX G5 ZY |
| 22 | 083147 | 5 | CB .312-18X .620 G5 ZN |
| 23 | 605516 | 2 | FW .531 x 2.25 x .25 ZNY |
| 24 | 721910 | 2 | CS .500-13X2.750HXG5 |

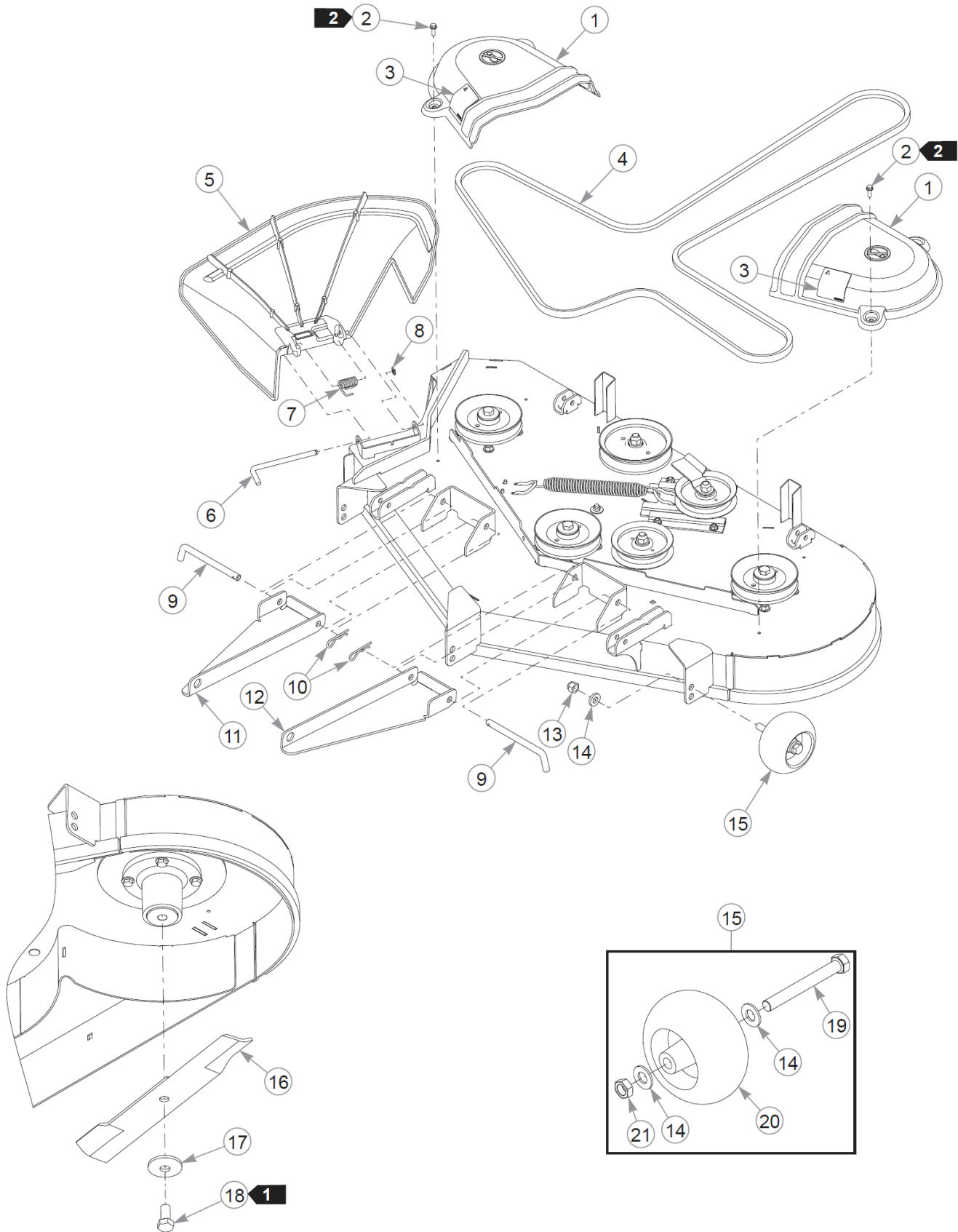
Comments for Page: Deck Pulleys & Spindles

1. Torque to 99 N•m.2. Torque to 40 N•m.3. Torque to 4–8 N•m.



Spindle Service Parts - 601804

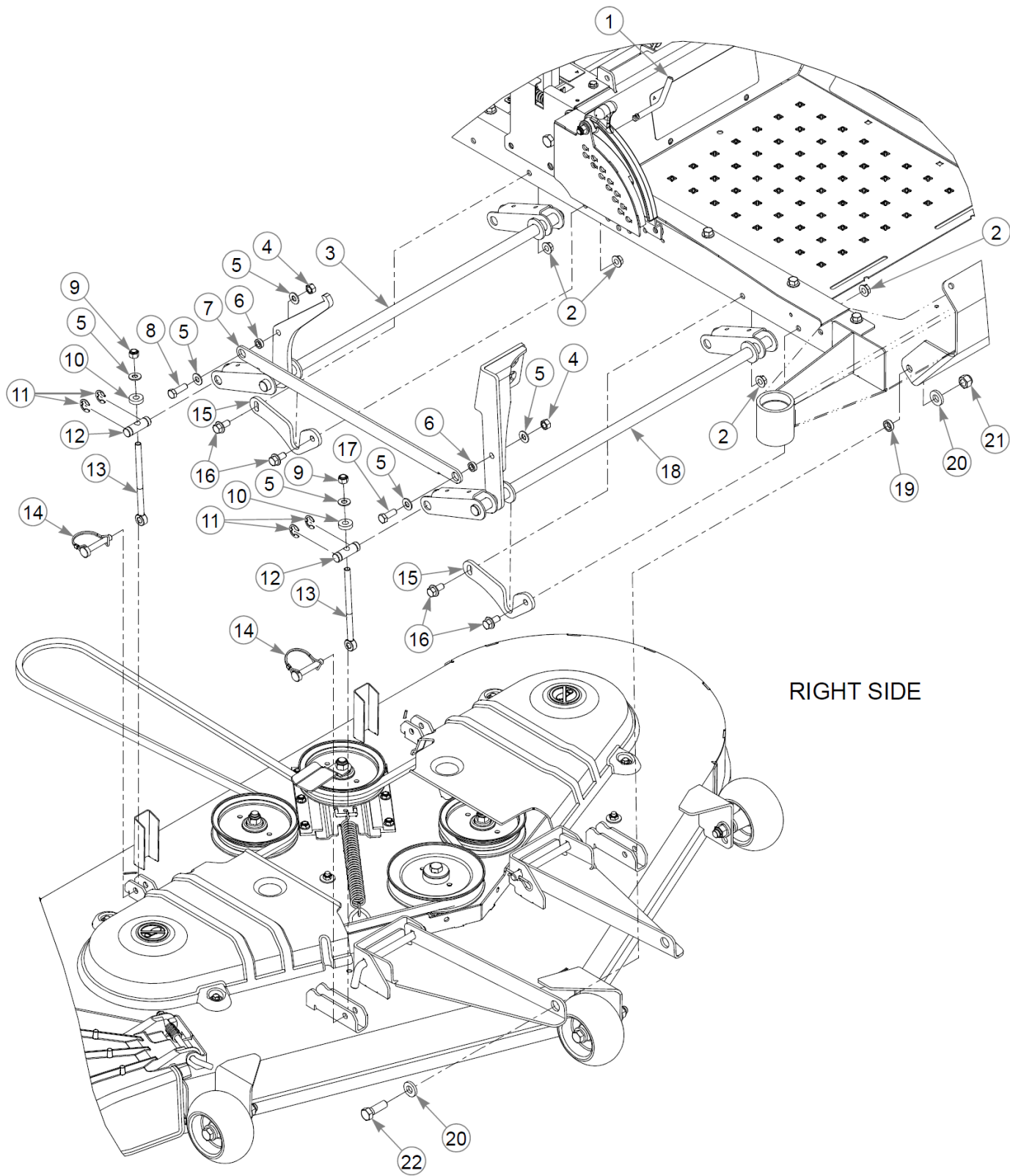
| Item | Part No. | Qty | Name |
|-----------|----------|-----|-------------------------|
| Not Shown | 601804 | 1 | SPINDLE ASSEMBLY |
| 1 | 783548 | 1 | RING, BLADE SPINDLE RET |
| 2 | 601827 | 2 | BEARING, 6205 2RST C3 |
| 3 | 601830 | 1 | SPACER, BLADE SPINDLE |
| 4 | 601828 | 1 | HOUSING, BLADE SPINDLE |
| 5 | 601829 | 1 | SHAFT, BLADE SPINDLE |



| Item | Part No. | Qty | Name |
|-----------|----------|-----|--------------------------|
| 1 | 553531 | 2 | SVC PULLEY COVER, |
| 2 | 604324 | 4 | CS .250-20 X .75 HX FLG |
| 3 | 602562 | 2 | DECAL, NO SERVICE |
| 4 | 604830 | 1 | DECK BELT |
| 5 | 606930 | 1 | RSD DISCHARGE CHUTE |
| 6 | 606981 | 1 | PIN, CHUTE |
| 7 | 604331 | 1 | CHUTE SPRING |
| 8 | 603332 | 1 | CLIP E .66 X .303 X .035 |
| 9 | 604658 | 2 | PIN, PULLER |
| 10 | 017301 | 2 | HP .125 X2.375 ZN |
| 11 | 117877 | 1 | PULLER, RS |
| 12 | 117878 | 1 | PULLER, LS |
| 13 | 781567 | 3 | NT .500-13NLG5 |
| 14 | 767962 | 5 | FW .531 x 1.063 x .175 |
| 15 | 788166 | 3 | WHEEL ASSY, ANTI SCALP |
| 16 | 601123 | 3 | BLADE, 16.50"-L-F-CW |
| Not Shown | 601014 | 3 | BLADE, F16.50"-L-F-CW |
| Not Shown | 795757 | 3 | BLADE, F16.50"-H-F-CW |
| Not Shown | 796649 | 3 | BLADE, 16.50"-CAT-F-CW |
| Not Shown | 796631 | 3 | BLADE, 16.50"-GAT-F-CW |
| Not Shown | 796623 | 3 | BLADE, 16.50"-MUL-F-CW |
| 17 | 782474 | 3 | CW .678 X 2.250 X .187 |
| 18 | 781872 | 3 | CS .625-11X1.250HXG5 |
| 19 | 781708 | 1 | CS .500-13X4.25 HX G5 ZY |
| 20 | 031997 | 1 | ANTI-SCALP WHEEL |
| 21 | 053199 | 1 | NT .500-13JAMG5 |

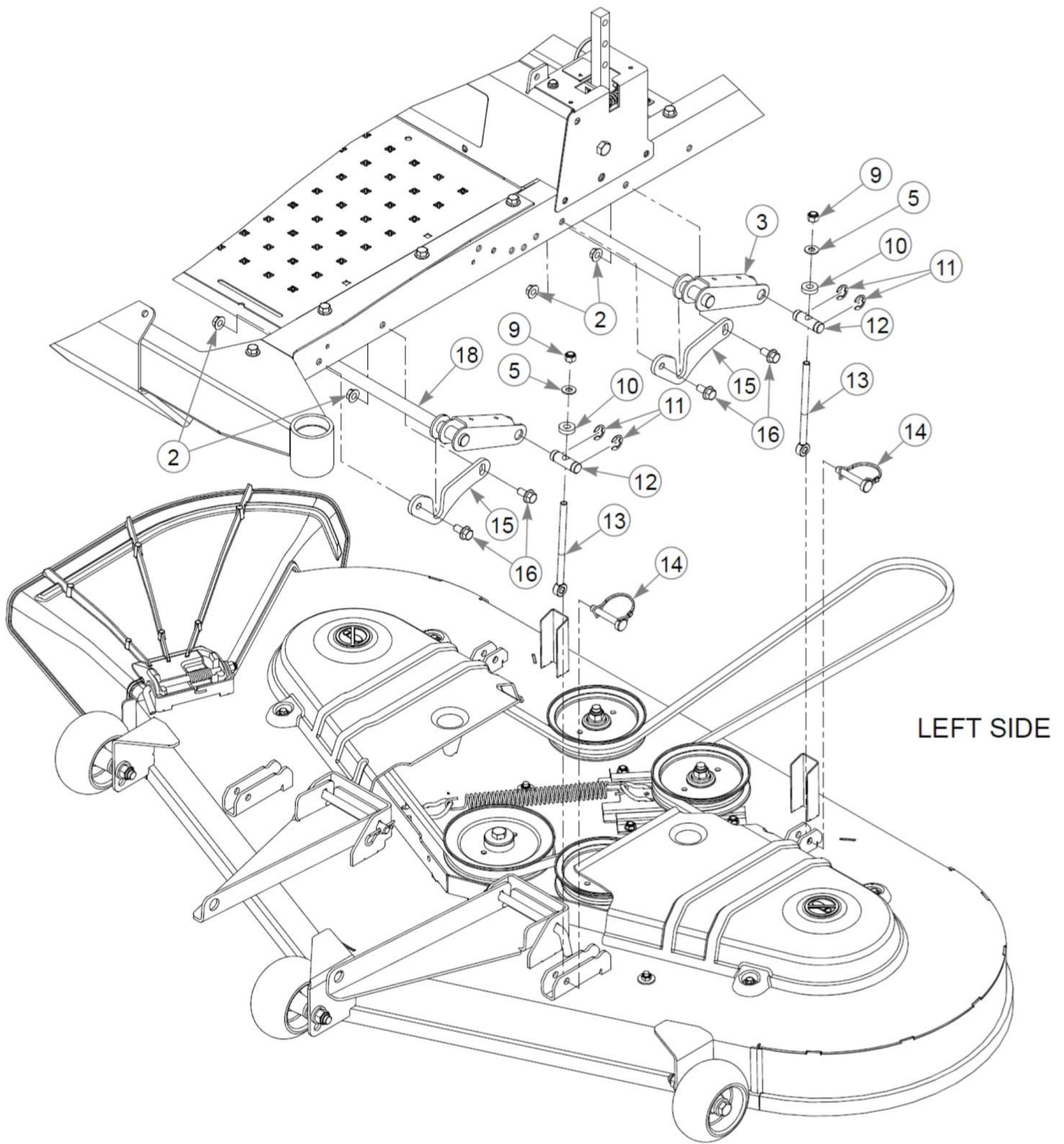
Comments for Page: Deck Belt, Discharge Chute, Pulley Cover & Blades

1. Torque to 160 N•m. 2. Torque to 3–7 N•m on these 4 self-tapping screws. 3. The pulley covers include the decals. 4. The plastic wheel assembly includes the hardware.

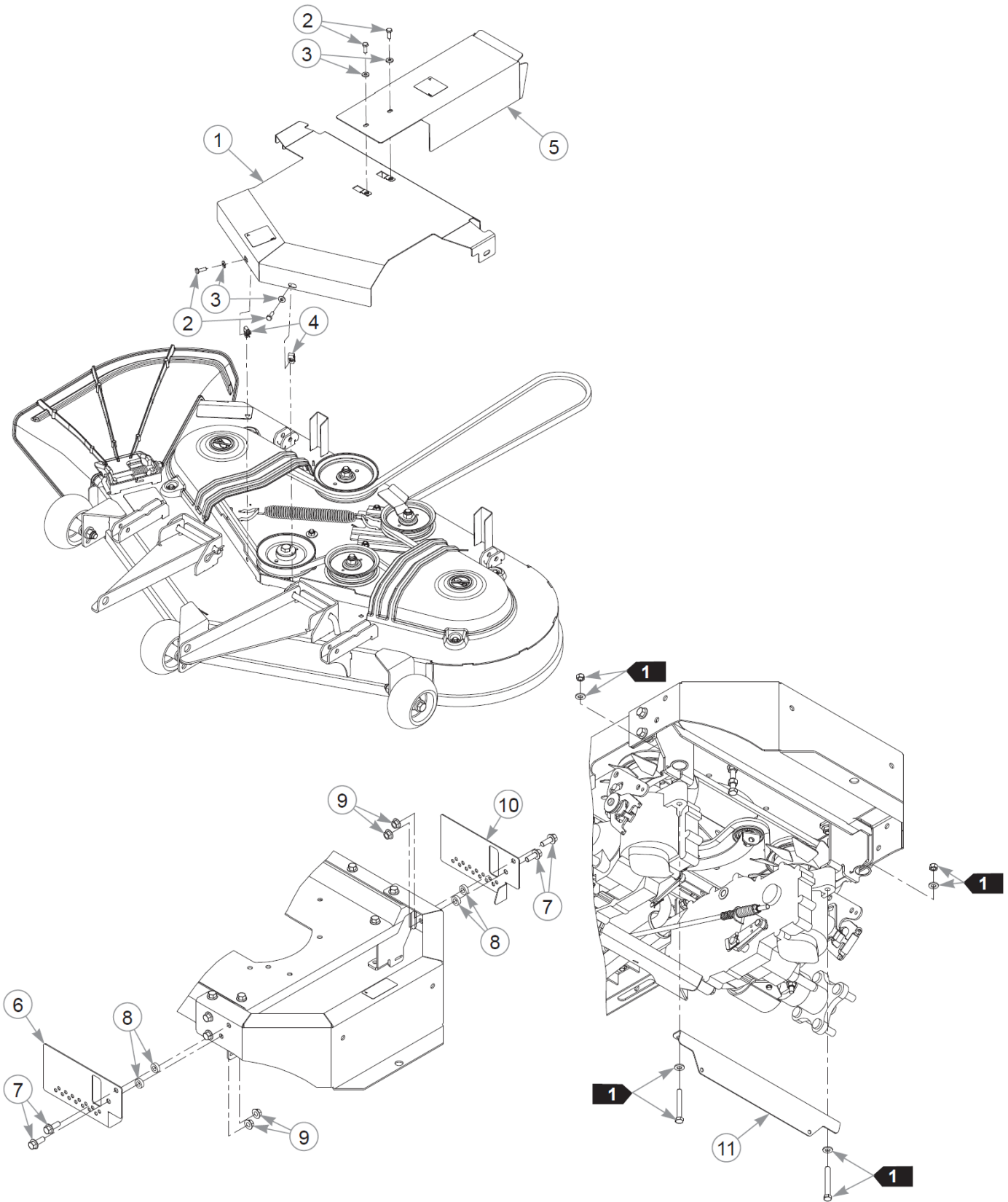


Deck Lift & Mounting Hardware (Multi-Page)

| Item | Part No. | Qty | Name |
|------|----------|-----|--------------------------|
| 1 | 118020 | 1 | PIN, INDICATOR |
| 2 | 016899 | 8 | NT .375-16HXG5 |
| 3 | 118085 | 1 | DECK LIFT W/A, REAR |
| 4 | 054502 | 2 | NT .375-16HXG5 |
| 5 | 767954 | 8 | FW 0.379X.82X.06 HD ZY |
| 6 | 601839 | 2 | PIVOT SPACER BUSHING |
| 7 | 118016 | 1 | LIFT PEDAL, LINK |
| 8 | 005132 | 1 | CS .375-16X1.12 HX G5 Z |
| 9 | 086660 | 4 | NT .375-16NLG8 |
| 10 | 605114 | 4 | FW .41X.94X.25 UHMW |
| 11 | 791673 | 8 | CLIP E,.625x.480x.042 Z |
| 12 | 118018 | 4 | PIVOT, DECK LIFT |
| 13 | 604579 | 4 | LINK, DECK LIFT |
| 14 | 604803 | 4 | CE .375 x 2.00 W/BALE |
| 15 | 116151 | 4 | PIVOT BLOCK, DECK LIFT |
| 16 | 029629 | 8 | CS .375-16X0.75 HXF G5ZY |
| 17 | 036244 | 1 | CS .375-16X1.00 HX G5 ZY |
| 18 | 118084 | 1 | DECK LIFT W/A, FRONT |
| 19 | 604656 | 2 | PIVOT SPACER BUSHING |
| 20 | 767962 | 4 | FW .531 x 1.063 x .175 |
| 21 | 781567 | 2 | NT .500-13NLG5 |
| 22 | 074252 | 2 | CS .500-13X1.50 HX G5 ZY |



This page intentionally left blank

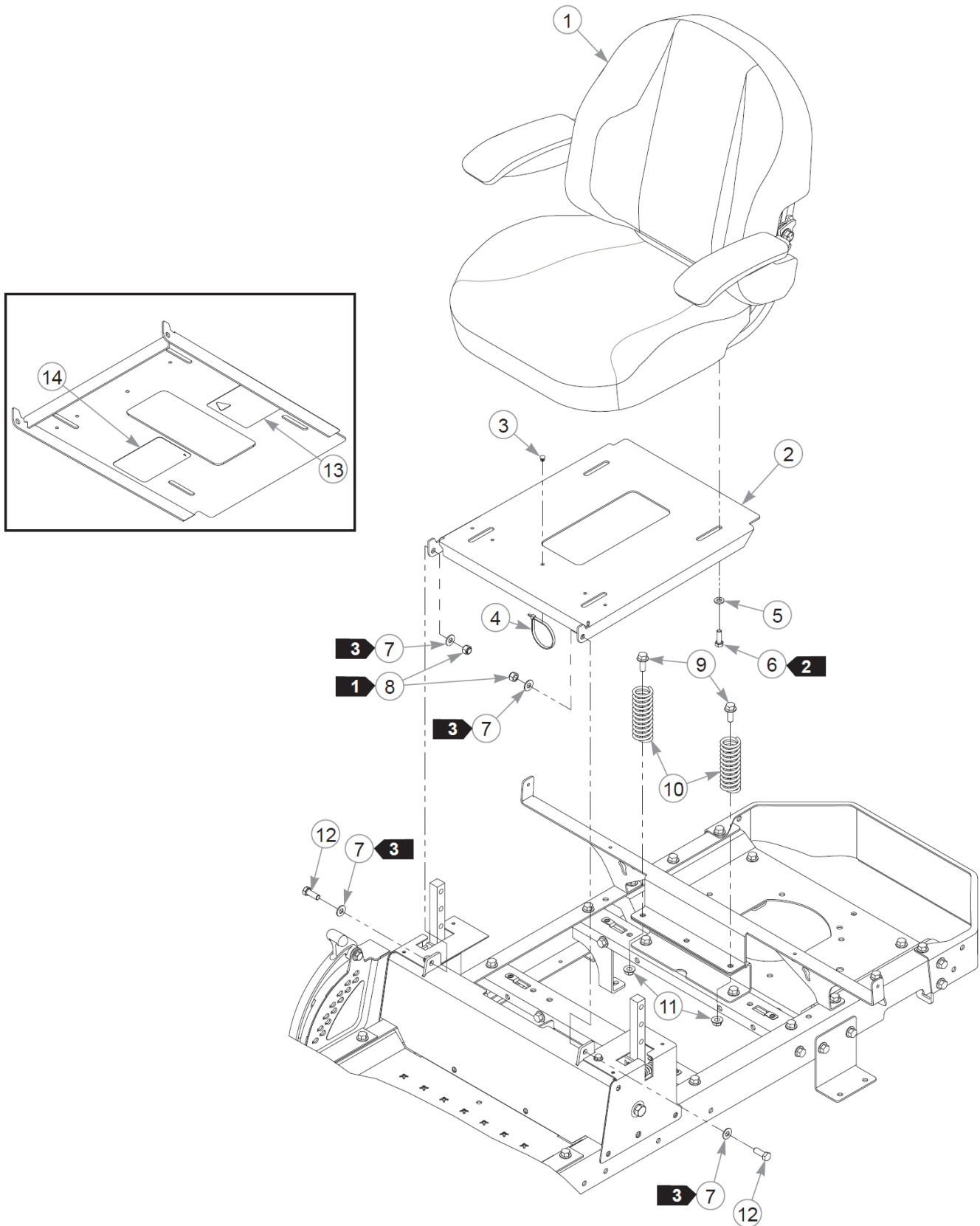


CE Guard Kit

| Item | Part No. | Qty | Name |
|------|----------|-----|--------------------------|
| 1 | 552981 | 1 | SERVICE GUARD |
| 2 | 055939 | 4 | CS .250-20X0.75 HX G5 ZY |
| 3 | 768515 | 4 | FW 0.281SAE |
| 4 | 601982 | 2 | CN .250-20X .150 MAX THK |
| 5 | 552982 | 1 | SERVICE GUARD |
| 6 | 122347 | 1 | GUARD, TRANS. LH SIDE,CE |
| 7 | 029751 | 4 | CS .375-16X1.00 HXF G5ZY |
| 8 | 073858 | 4 | FW .406X .750X.250 ZNYC |
| 9 | 016899 | 4 | NT .375-16HXG5 |
| 10 | 122346 | 1 | GUARD, TRANS. RH SIDE,CE |
| 11 | 120838 | 1 | GUARD, RAPTOR CLUTCH, CE |

Comments for Page: CE Guard Kit

- 1. Part of the Transmission Assembly.



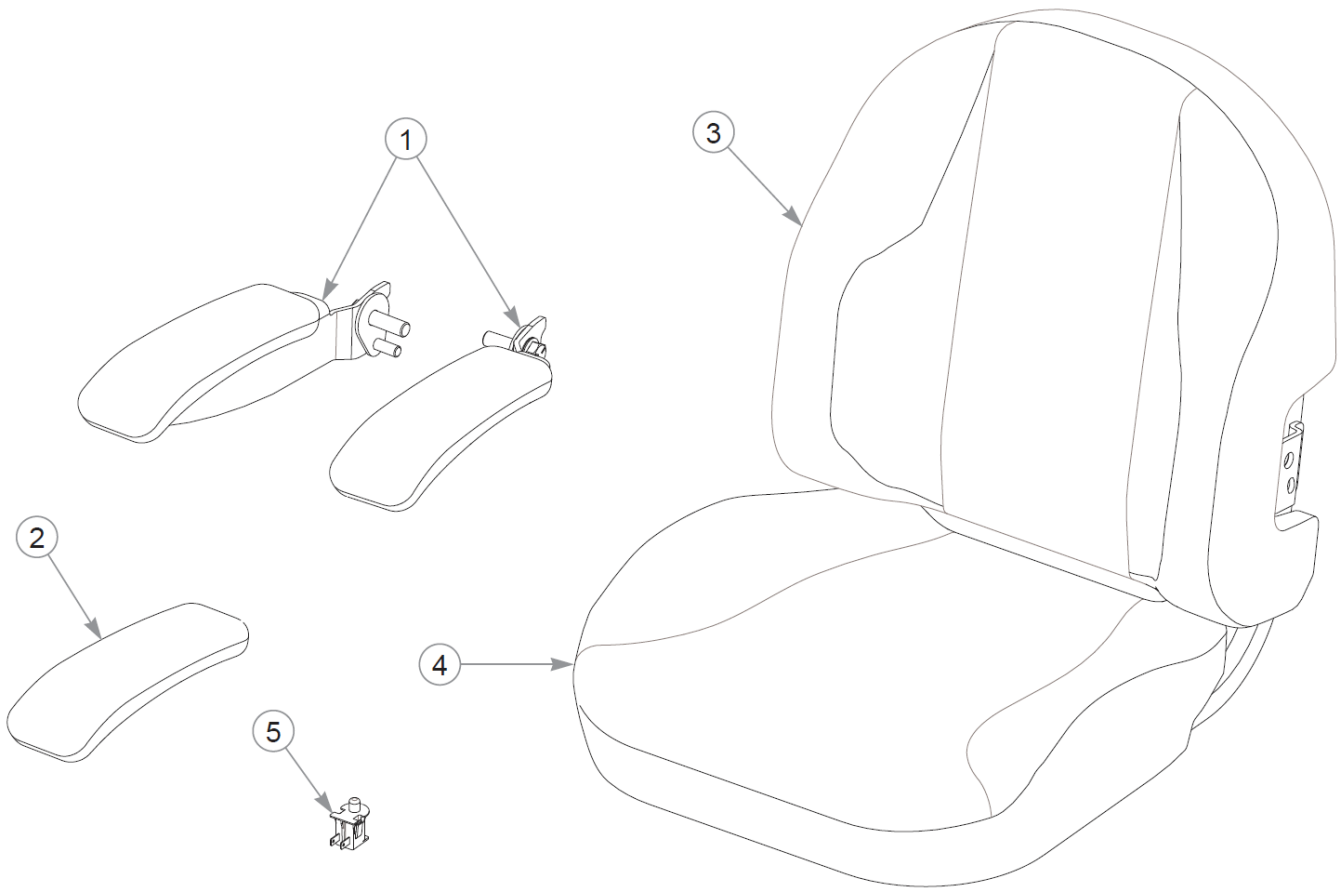
Seat - S/N 19084846 & Higher

48" Raptor SD Parts Manual - 938340CE - HTRSDDL048KAWFR691VC

| Item | Part No. | Qty | Name |
|------|----------|-----|--------------------------|
| 1 | 607347 | 1 | SEAT |
| 2 | 552751 | 1 | SVC, SEAT PAN |
| 3 | 604307 | 1 | MOUNT, PUSH BUTTON |
| 4 | 000331 | 1 | WIRE TIE, SMALL/SHORT |
| 5 | 768523 | 4 | FW 0.343SAE |
| 6 | 036236 | 4 | CS .312-18X1.000HXG5 |
| 7 | 767954 | 4 | FW 0.379X.82X.06 HD ZY |
| 8 | 086660 | 2 | NT .375-16NLG8 |
| 9 | 029751 | 2 | CS .375-16X1.00 HXF G5ZY |
| 10 | 793851 | 2 | SPRING,COMP 1.25X4.00X. |
| 11 | 016899 | 2 | NT .375-16HXG5 |
| 12 | 036244 | 2 | CS .375-16X1.00 HX G5 ZY |
| 13 | 781419 | 1 | DECAL, BELT ROUTING |
| 14 | 601815 | 1 | DECAL, BATTERY WARNINGS |

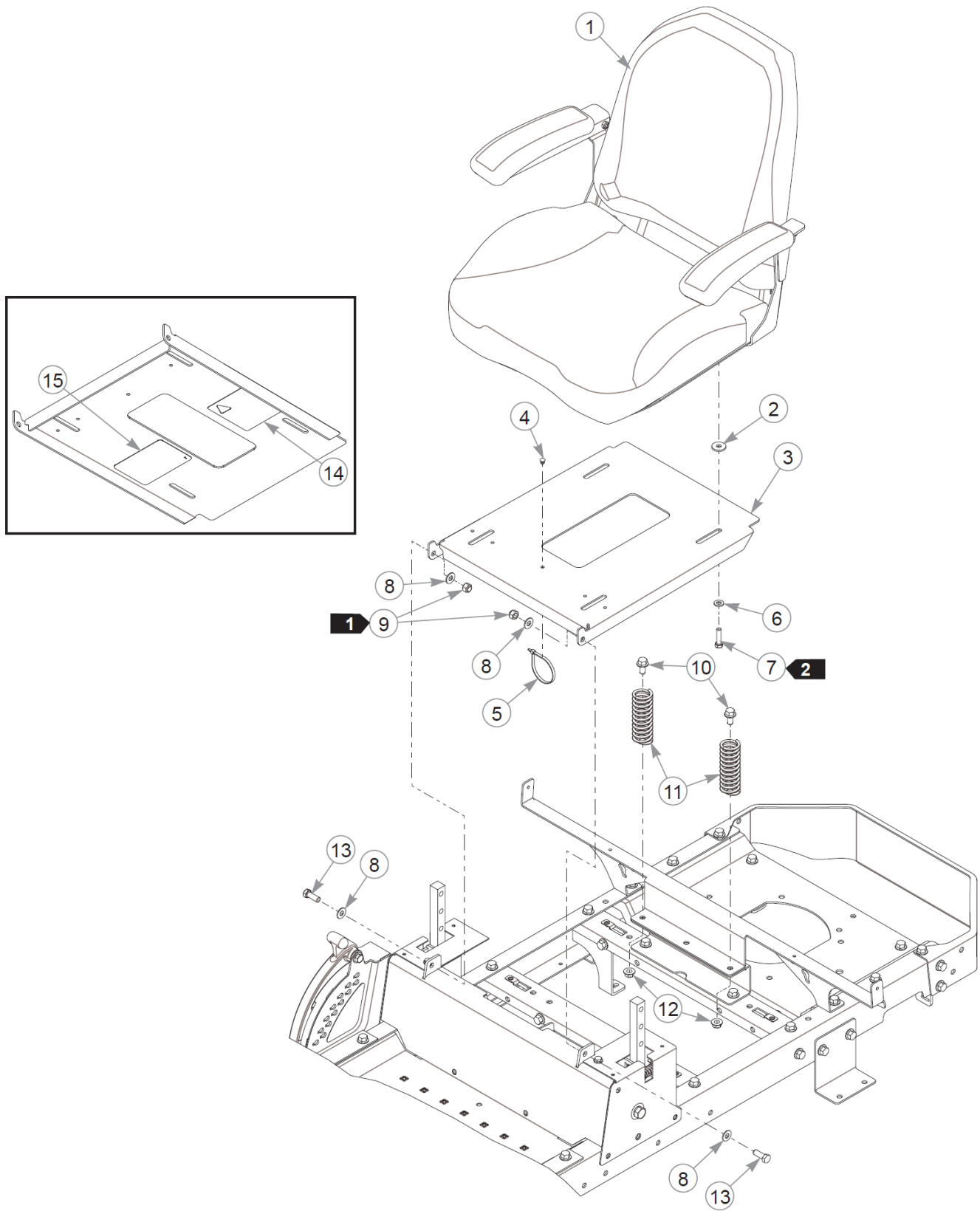
Comments for Page: Seat - S/N 19084846 & Higher

1. Do not torque; the seat pan must pivot freely.
2. Torque to 12–19 N•m.
3. The seat pan (552751) includes decals.
4. 602243 is used on 36" & 42" mowers.
781419 is used on 48" mowers.

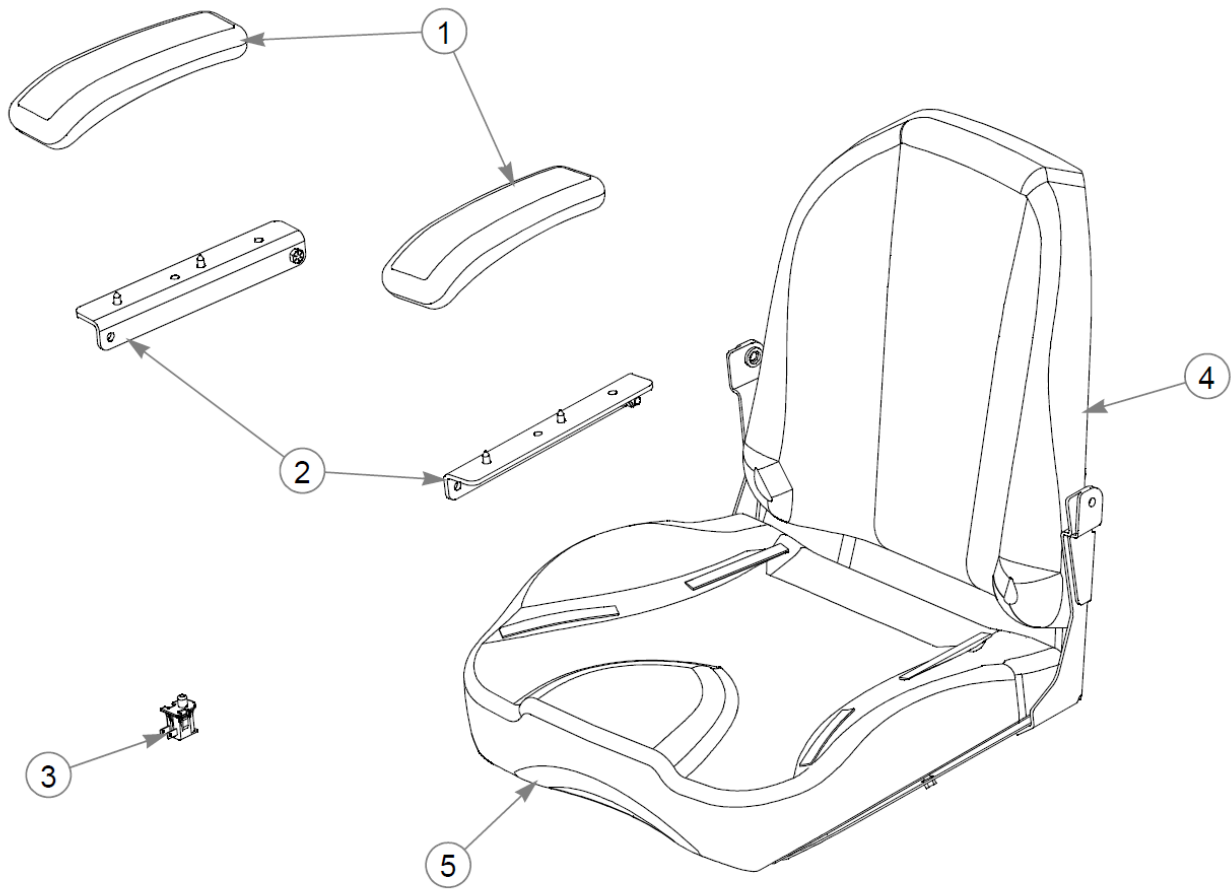


Seat Service Parts - 607347

| Item | Part No. | Qty | Name |
|------|----------|-----|-------------------------|
| 1 | 607166 | 1 | SVC, ARM REST KIT |
| 2 | 606081 | 1 | SVC, ARM PADS |
| 3 | 607348 | 1 | SVC, SEAT BACK COVER |
| 4 | 607349 | 1 | SVC, SEAT CUSHION COVER |
| 5 | 606082 | 1 | SVC, OPS |



| Item | Part No. | Qty | Name |
|------|----------|-----|--------------------------|
| 1 | 606077 | 1 | S/C TO 607347 |
| 2 | 712927 | 4 | FW 0.344X1.00X.12 HD ZY |
| 3 | 552751 | 1 | SVC, SEAT PAN |
| 4 | 604307 | 1 | MOUNT, PUSH BUTTON |
| 5 | 000331 | 1 | WIRE TIE, SMALL/SHORT |
| 6 | 768523 | 4 | FW 0.343SAE |
| 7 | 079186 | 4 | CS .312-18X1.250HXG5 |
| 8 | 767954 | 4 | FW 0.379X.82X.06 HD ZY |
| 9 | 086660 | 2 | NT .375-16NLG8 |
| 10 | 029629 | 2 | CS .375-16X0.75 HXF G5ZY |
| 11 | 793851 | 2 | SPRING,COMP 1.25X4.00X. |
| 12 | 016899 | 2 | NT .375-16HXG5 |
| 13 | 036244 | 2 | CS .375-16X1.00 HX G5 ZY |
| 14 | 781419 | 1 | DECAL, BELT ROUTING |
| 15 | 601815 | 1 | DECAL, BATTERY WARNINGS |



Seat Service Parts - 606077

| Item | Part No. | Qty | Name |
|-----------|----------|-----|-------------------|
| Not Shown | 606077 | 1 | S/C TO 607347 |
| 1 | 606081 | 2 | SVC, ARM PADS |
| 2 | 606085 | 1 | SVC, ARMEST SET |
| 3 | 606082 | 1 | SVC, OPS |
| 4 | 606083 | 1 | SVC, BACK CUSHION |
| 5 | 606084 | 1 | SVC, SEAT CUSHION |

Comments for Page: Seat Service Parts - 606077

1. The arm bracket kit includes right and left side brackets.